

Singel 5100-NA Singel 4100-NA

50001-NA, 41000-NA

2013-06-20

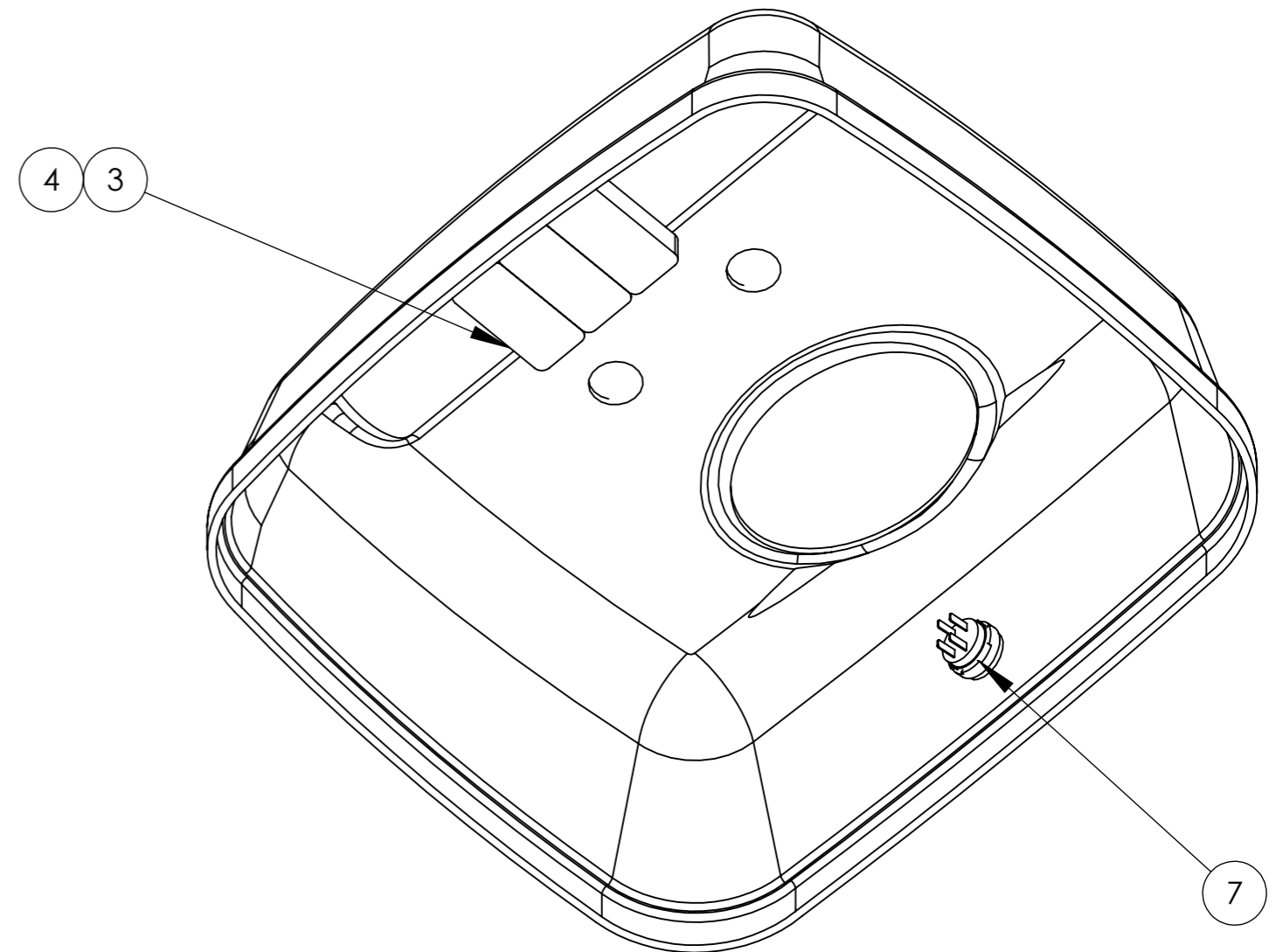
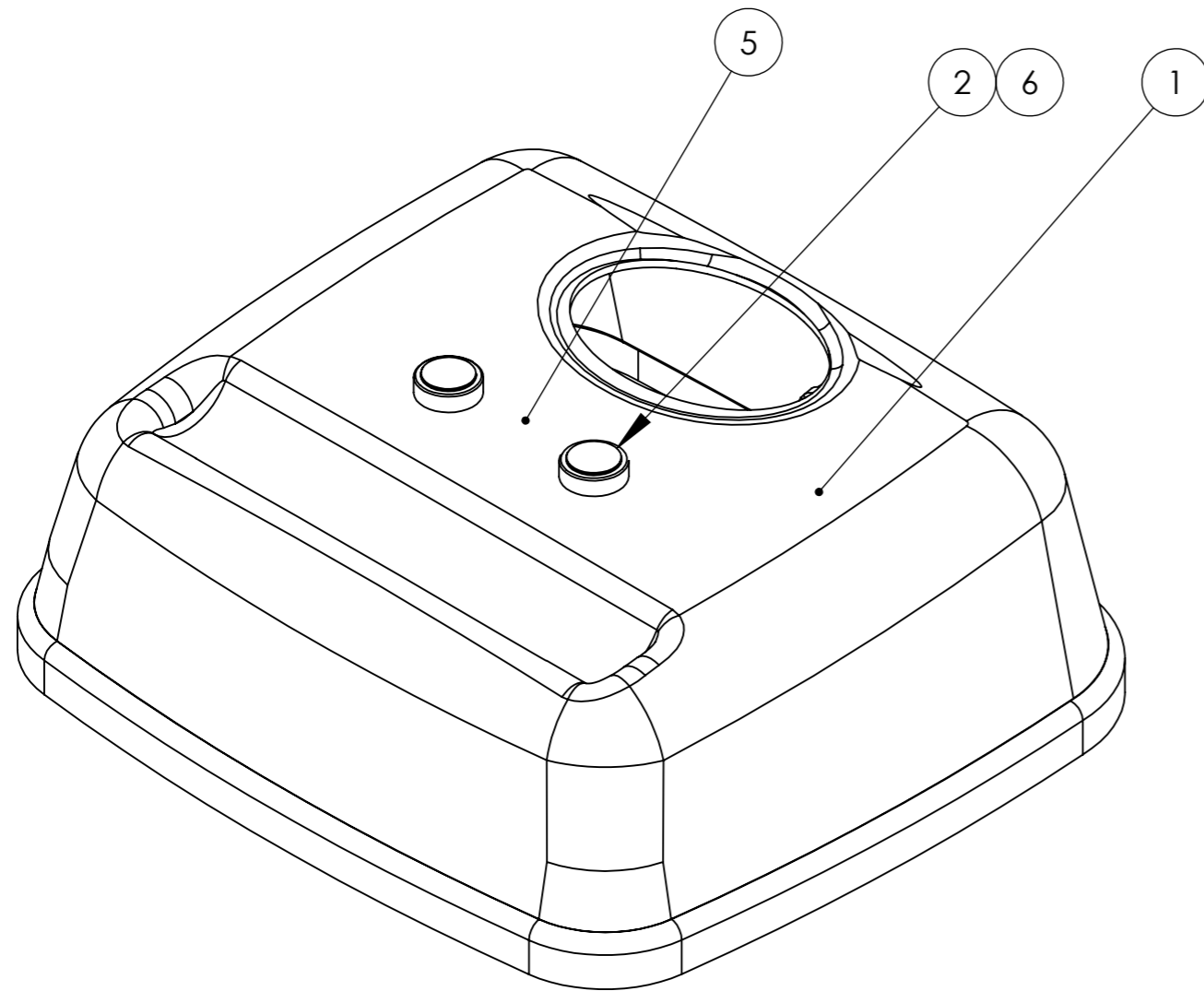


99573 Rev B (2013-06-20)

1	50503 Överkåpa / Top Cover
2	50708 Chassis
3	50059 Bandsträckarvakt / Belt tension guard
4	50707 Motor
5	50081 Bandrulle / Belt roll
6	50706 Bracket
7	50502 Underkåpa / Lower cover
8	50052 Teleskopbygel /Telescopic bar Singel 5100-NA
9	50505 Teleskopbygel / Telescopic bar Singel 4100-NA
10	50001-NA Single 5100-NA

Alla ritningar utom 8 och 9 delas mellan Singel 5100-NA och 4100-NA

All drawings except 8 and 9 are shared between Singel 5100-NA and 4100-NA



Pos. nr 2: Gummibrickan träs på knappen och sedan sätts knappen i kåpans hål och spänns fast med mutter på undersidan.

Pos. nr 3: Magneterna limmas centrerat på undersidan av kåpan på anvisad plats, efter att ytan ruggats och rengjorts med T-sprit. Härdningstid 24 timmar!

Pos. nr 5: Placeras mellan knapparna.

Pos. nr 6: Knapparnas sladdar tvinnas ihop och fäst längst ner med buntbandet. Märk höger kontakt, tvinnad längst ner.

Pos. no 2: The rubber washer is thread on the button, the button is then placed in the hole in the cover and fastened by the nut on the reversed side.

Pos. no 3: The magnets are glued on the inner side of the cover after that place has been roughened up and cleaned with alcohol. hardened after 24h.

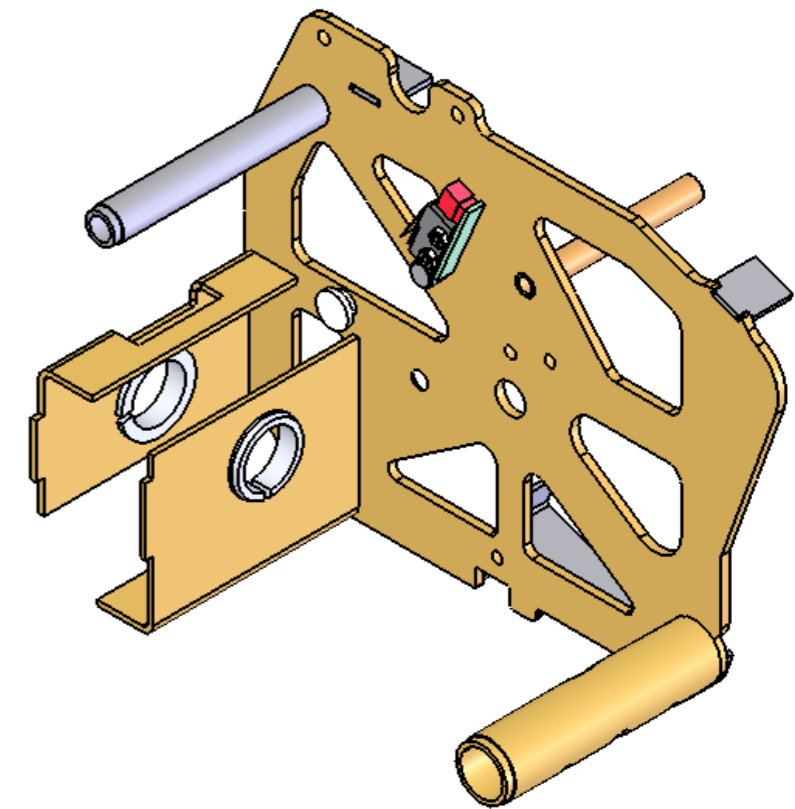
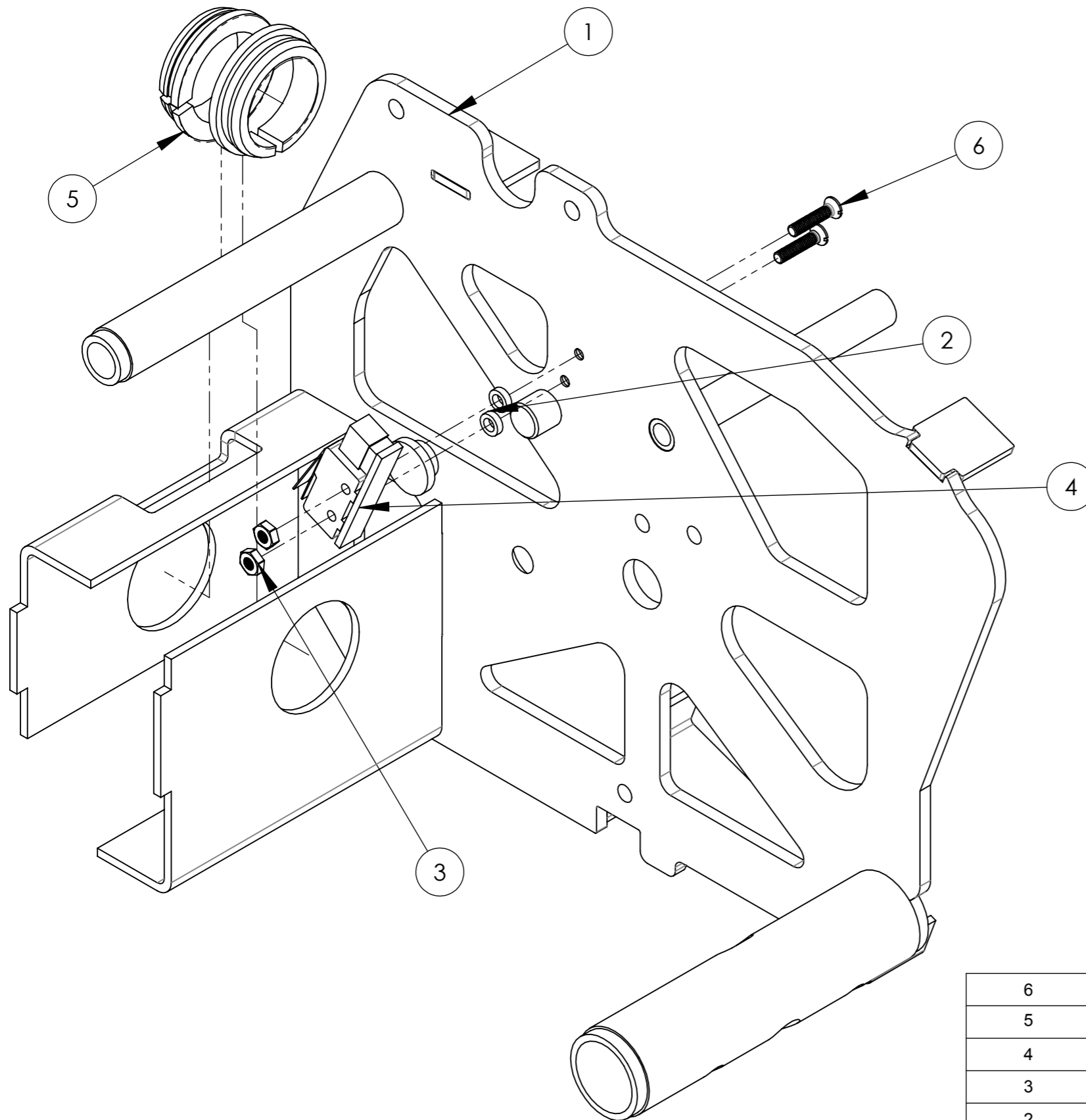
Pos. no 5: Is to be placed between the buttons.

Pos. no 6: Twine the cbles from the buttons and place a cable tie near the end. Mark the connector from the right button with a pen spot.

Pos. no	Qty.	Article	Remark
7	1	50135 Emergency Stop 16 complete	
6	1	20318 Buntband	
5	1	20145 Skylt upp-ner	
4	1	40049 Lim-o-tät Bostik	Härdning 24h
3	3	40040 Magnet	
2	2	21231 Upp knapp	
1	1	50498 Kåpa över Singel V0	

PROPRIETARY AND CONFIDENTIAL THE INFORMATION CONTAINED IN THIS DRAWING IS THE SOLE PROPERTY OF HUMAN CARE HC SWEDEN AB. ANY REPRODUCTION IN PART OR AS A WHOLE WITHOUT THE WRITTEN PERMISSION OF THE OWNER IS PROHIBITED.	Where nothing else specified			Design by	Origin Drawn	OriginCheck	Drawing Status	Sheet
	Tolerance ISO 2768-m			MG	MG	FV	Released	1(1)
	Nom. measure över	t.o.m.	Tol. ±	Nom. measure över	t.o.m.	Tol. ±	Complete top cover SINGEL 5100-NA	
(0,5)	3	0,1	(120)	400	0,5			Part no. 50503
(3)	6	0,1	(400)	1000	0,8			
(6)	30	0,2	(1000)	2000	1,2			
(30)	120	0,3	(2000)	4000	2			

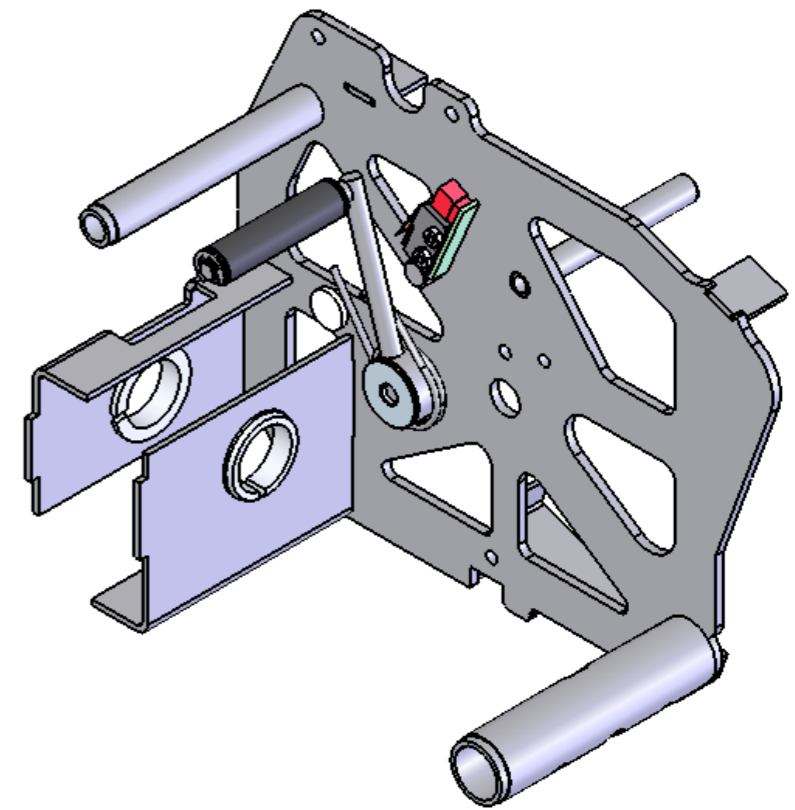
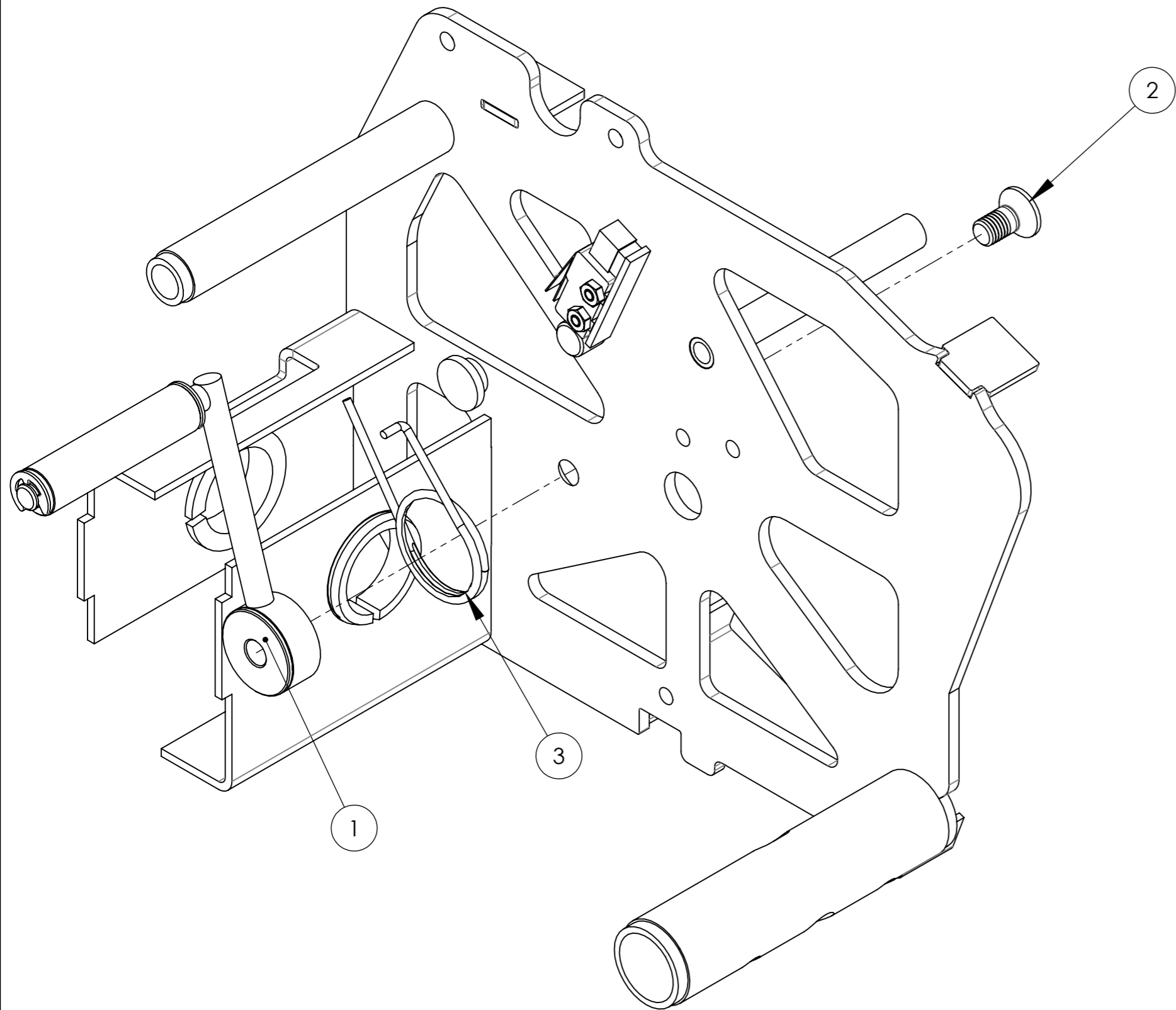
Revision	Description	Page	Ref	Date	Made by	Checked by



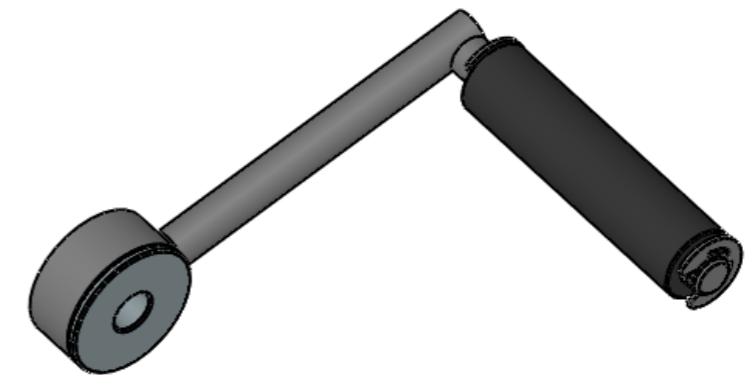
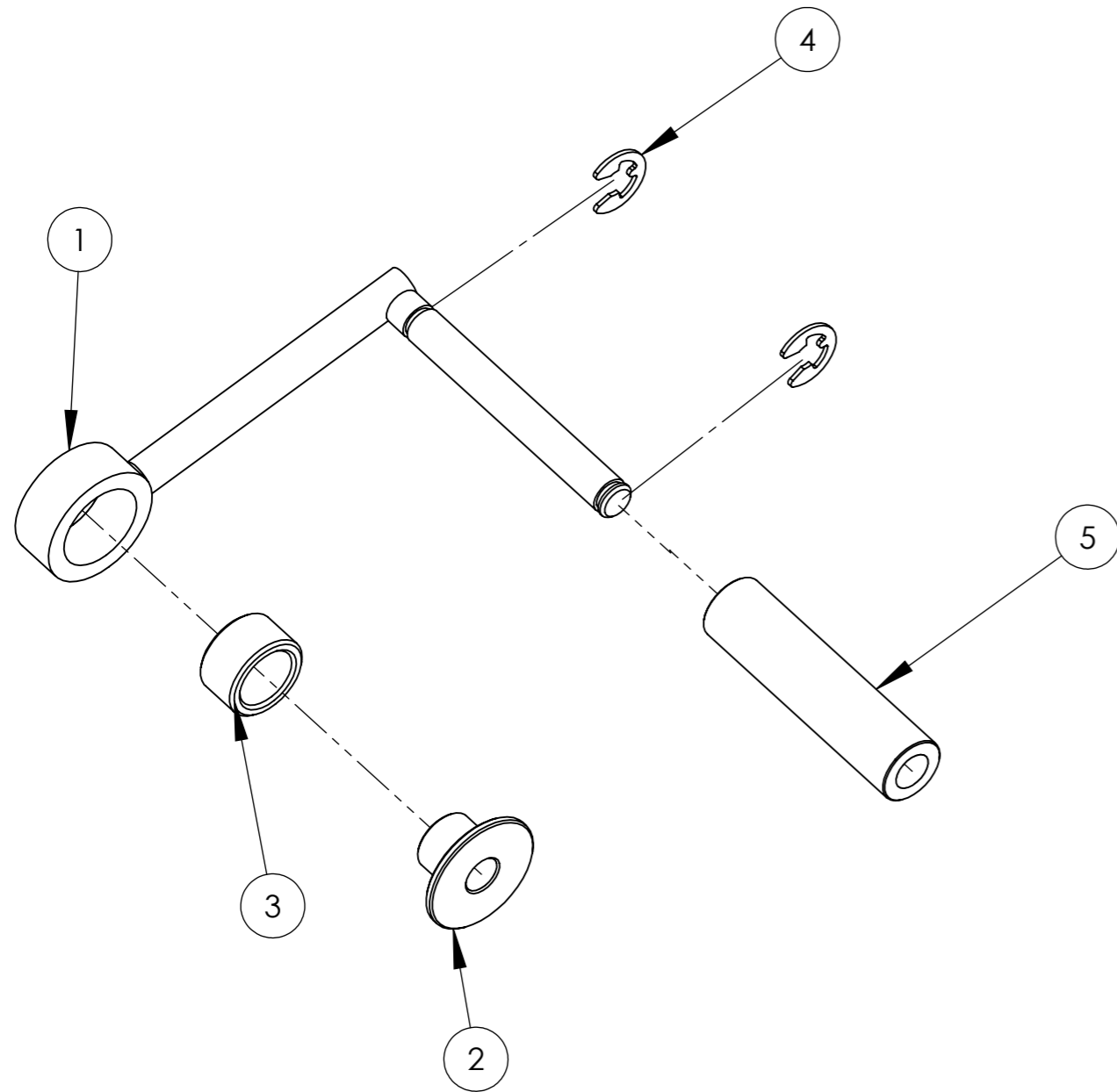
6	2	40054 Skruv MFS 2.5x12 A2	
5	2	22027 Bussning galge	
4	1	50019 Mikrob,enkel	
3	2	40048 Mutter M6M 2,5 A2	
2	2	40019 Bricka 15x1x2.5	
1	1	50039 Chassi Singel 5100	

Pos. no	QTY.	Article	Remark
---------	------	---------	--------

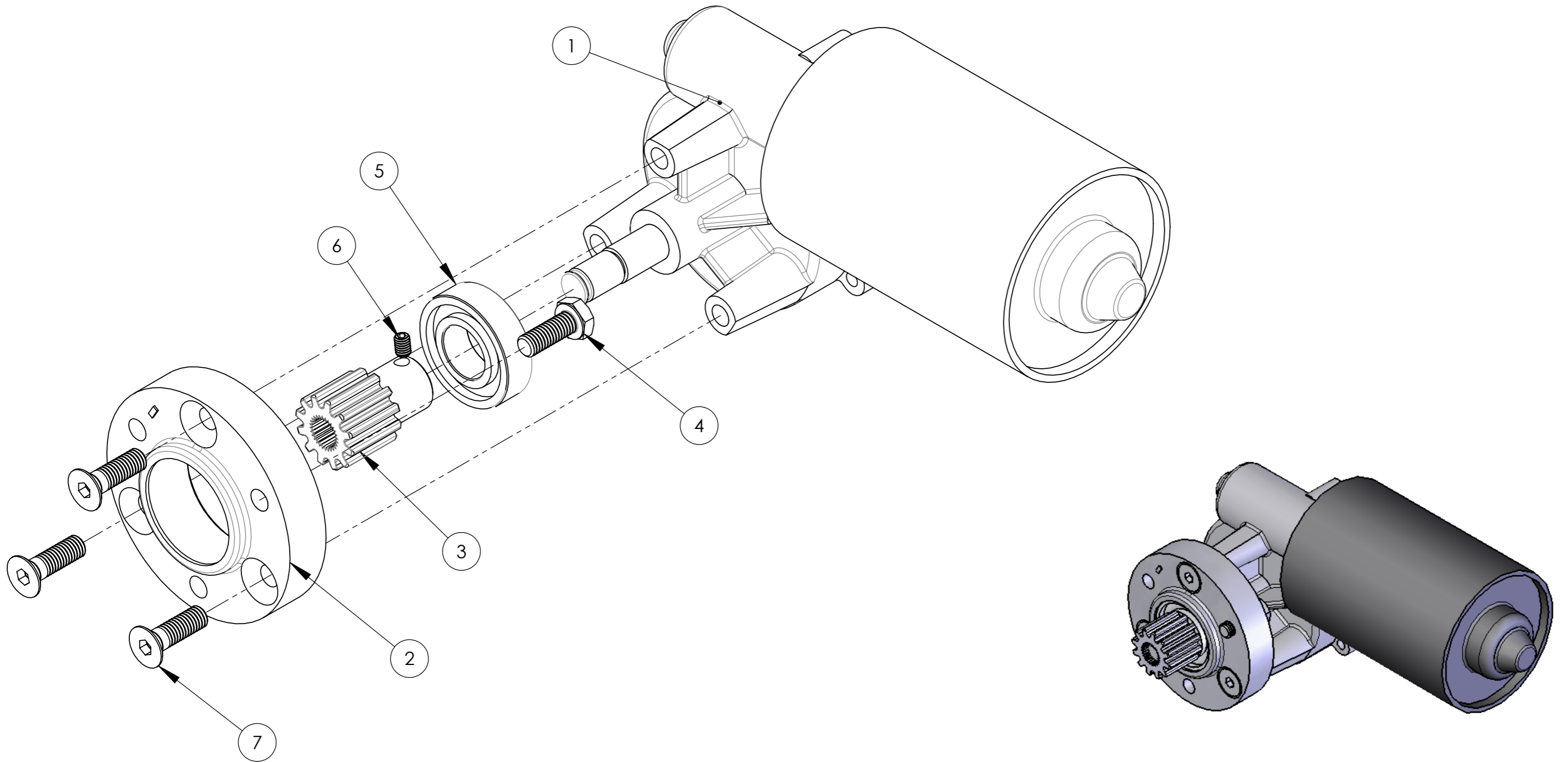
PROPRIETARY AND CONFIDENTIAL THE INFORMATION CONTAINED IN THIS DRAWING IS THE SOLE PROPERTY OF HUMAN CARE HC AB. ANY REPRODUCTION IN PART OR AS A WHOLE WITHOUT THE WRITTEN PERMISSION OF THE OWNER IS PROHIBITED.	Where nothing else specified						Design by	Origin Drawn	OriginCheck	Drawing Status	Sheet
	Tolerance ISO 2768-m						DNK	DNK	NE	Released	1(2)
	Nom. measure		Tol. ±		Nom. measure		Tol. ±		Complete chassi Singel 5100 & Herkules		
	över	t.o.m.	Tol. ±	över	t.o.m.	Tol. ±	Origin Date 2006-11-24 Scale 1:1 Revision B Part no. 50708				
(0,5)	3	0,1	(120)	400	0,5						
(3)	6	0,1	(400)	1000	0,8						
(6)	30	0,2	(1000)	2000	1,2						
(30)	120	0,3	(2000)	4000	2						



3	1	50061 Fjäder BSV G																																																	
2	1	20293 skruv MF6S M6x12 A2																																																	
1	1	50059 Bandsträckningsvakt Singel																																																	
Pos. no	QTY.	Article	Remark																																																
PROPRIETARY AND CONFIDENTIAL THE INFORMATION CONTAINED IN THIS DRAWING IS THE SOLE PROPERTY OF HUMAN CARE HC AB. ANY REPRODUCTION IN PART OR AS A WHOLE WITHOUT THE WRITTEN PERMISSION OF THE OWNER IS PROHIBITED.		Where nothing else specified Tolerance ISO 2768-m <table border="1"> <thead> <tr> <th colspan="2">Nom. measure</th> <th colspan="2">Tol. ±</th> <th colspan="2">Nom. measure</th> <th colspan="2">Tol. ±</th> </tr> <tr> <th>över</th> <th>t.o.m.</th> <th>över</th> <th>t.o.m.</th> <th>över</th> <th>t.o.m.</th> <th>över</th> <th>t.o.m.</th> </tr> </thead> <tbody> <tr> <td>(0,5)</td> <td>3</td> <td>0,1</td> <td>(120)</td> <td>400</td> <td>0,5</td> <td></td> <td></td> </tr> <tr> <td>(3)</td> <td>6</td> <td>0,1</td> <td>(400)</td> <td>1000</td> <td>0,8</td> <td></td> <td></td> </tr> <tr> <td>(6)</td> <td>30</td> <td>0,2</td> <td>(1000)</td> <td>2000</td> <td>1,2</td> <td></td> <td></td> </tr> <tr> <td>(30)</td> <td>120</td> <td>0,3</td> <td>(2000)</td> <td>4000</td> <td>2</td> <td></td> <td></td> </tr> </tbody> </table>	Nom. measure		Tol. ±		Nom. measure		Tol. ±		över	t.o.m.	över	t.o.m.	över	t.o.m.	över	t.o.m.	(0,5)	3	0,1	(120)	400	0,5			(3)	6	0,1	(400)	1000	0,8			(6)	30	0,2	(1000)	2000	1,2			(30)	120	0,3	(2000)	4000	2			Design by DNK Origin Drawn DNK Origin Check NE Drawing Status Released Sheet 2(2)
Nom. measure		Tol. ±		Nom. measure		Tol. ±																																													
över	t.o.m.	över	t.o.m.	över	t.o.m.	över	t.o.m.																																												
(0,5)	3	0,1	(120)	400	0,5																																														
(3)	6	0,1	(400)	1000	0,8																																														
(6)	30	0,2	(1000)	2000	1,2																																														
(30)	120	0,3	(2000)	4000	2																																														
		Complete chassi Singel 5100 & Herkules	Origin Date 2006-11-24 Scale 1:1 Revision B Part no. 50708																																																



5	1	50235 Rulle BSV	
4	2	40011 Spärryttare RS A2 5x11x0.7	
3	1	40005 Bussning BSV	
2	1	50064 Ledtapp BSV	
1	1	50063 Vipparm Singel	
Pos. nr	Ant.	Benämning	Anmärkning
PROPRIETARY AND CONFIDENTIAL		Where nothing else specified	Design by DNK
THE INFORMATION CONTAINED IN THIS DRAWING IS THE SOLE PROPERTY OF HUMAN CARE HC AB. ANY REPRODUCTION IN PART OR AS A WHOLE WITHOUT THE WRITTEN PERMISSION OF THE OWNER IS PROHIBITED.		Tolerance ISO 2768-m	Origin Drawn DNK
		Nom. measure	OriginCheck NE
		över t.o.m.	Drawing Status Released
		Tol. ±	Sheet 1(1)
		Nom. measure	Origin Date 2007-09-05
		över t.o.m.	Scale 1:1
		Tol. ±	Revision B
		(0,5)	Part no. 50059
		(3)	
		(6)	
		(30)	
		3	
		6	
		30	
		120	
		0.1	
		0.1	
		0.2	
		0.3	
		(120)	
		(400)	
		(1000)	
		(2000)	
		400	
		1000	
		2000	
		4000	
		0.5	
		0.8	
		1.2	
		2	
		Bansträckningsvakt SINGEL 5100 & Herkules	



Pos. 1: Loctite 2701 på hela motoraxelns splines.

Pos. 4: Placeras lös i pos.2 eftersom den ej går i efter montering av pos.2.

Pos. 5: Pressa i botten på pos.3.

Pos. 6: Loctite 243.


Pos. 1: Loctite 2701 all over the splined end of the motor axle.

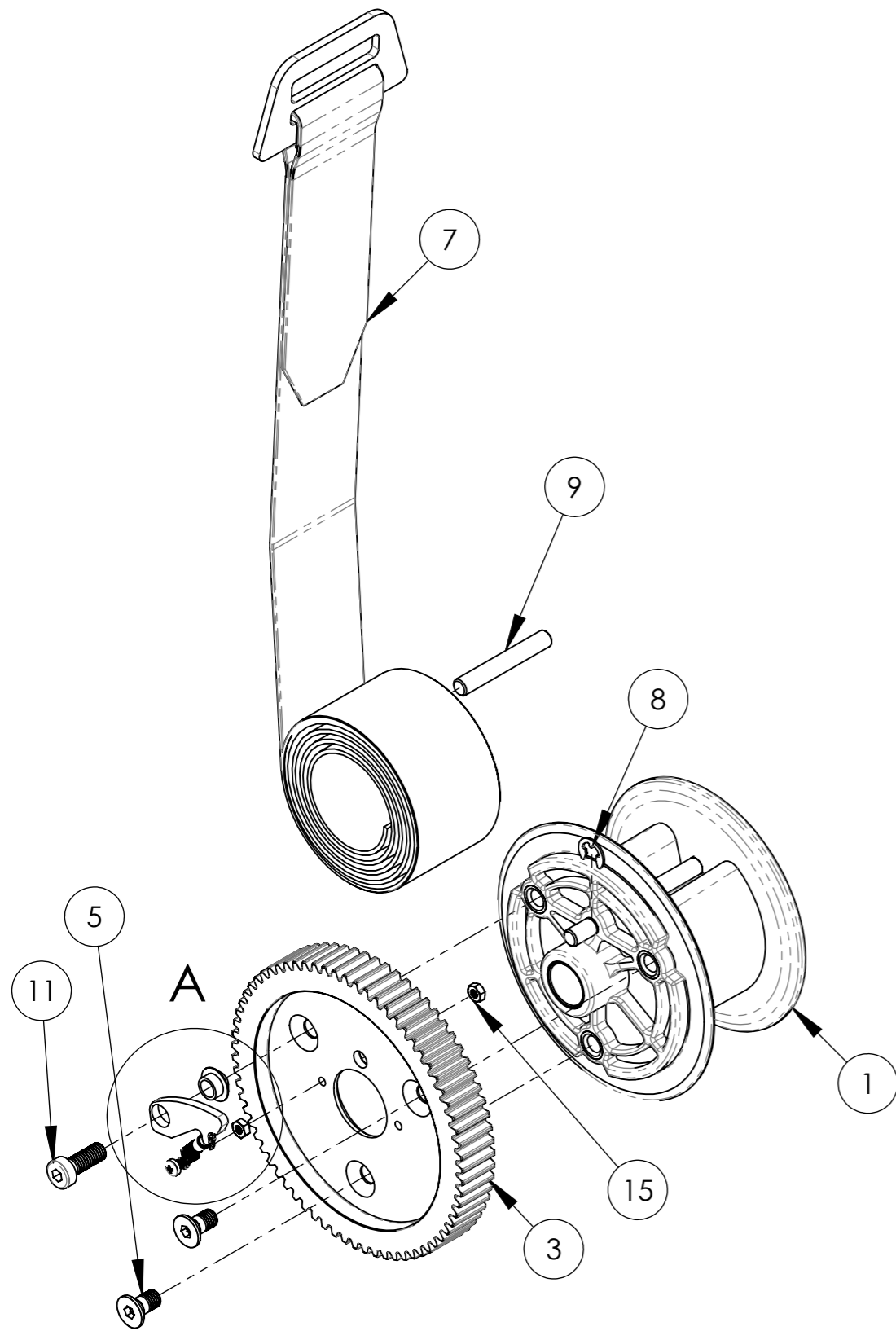
Pos. 4: Placed loose in pos.2 because it is not possible after mounting of pos.2.

Pos. 5: Pressed fully down on pos.3 pos.3.

Pos. 6: Loctite 243.

7	3	21237 Skruv MF6S 6 x 20 A2	
6	1	40004 Stoppskruv SK6SS A4 M4x6	
5	1	40007 Kullager 6002 ZZ	
4	1	20324 Skruv M6S 6x16 A2	
3	1	50076 Kugghjul z=12	
2	1	50072 Motordistans	
1	1	50009 Motor 5000	

Pos. nr	QTY.	Benämning	Anmärkning
PROPRIETARY AND CONFIDENTIAL THE INFORMATION CONTAINED IN THIS DRAWING IS THE SOLE PROPERTY OF HUMAN CARE HC AB. ANY REPRODUCTION IN PART OR AS A WHOLE WITHOUT THE WRITTEN PERMISSION OF THE OWNER IS PROHIBITED.		Where nothing else specified Tolerance ISO 2768-m Nom. measure över t.o.m. Tol. ± (0,5) 3 0,1 (120) 400 0,5 (3) 6 0,1 (400) 1000 0,8 (6) 30 0,2 (1000) 2000 1,2 (30) 120 0,3 (2000) 4000 2	Design by DNK Origin Drawn DNK Origin Check NE Drawing Status Released Sheet 1(1) Origin Date 2007-09-05 Scale 1:1 Revision B Part no. 50707
			Complete motor Singel 5100



Pos. 5: Loctite 243.

Pos. 11: Loctite 243.

Pos. 6: Öppning in mot spärr.

Pos. 10 & 15: 2mm mellan skruvskalle och mutter.

Pos. 7: Trycks under axel med dubbelvik uppåt, se sid 2.

Pos. 8: Öppningen mot centrum.

Pos. 5: Loctite 243.

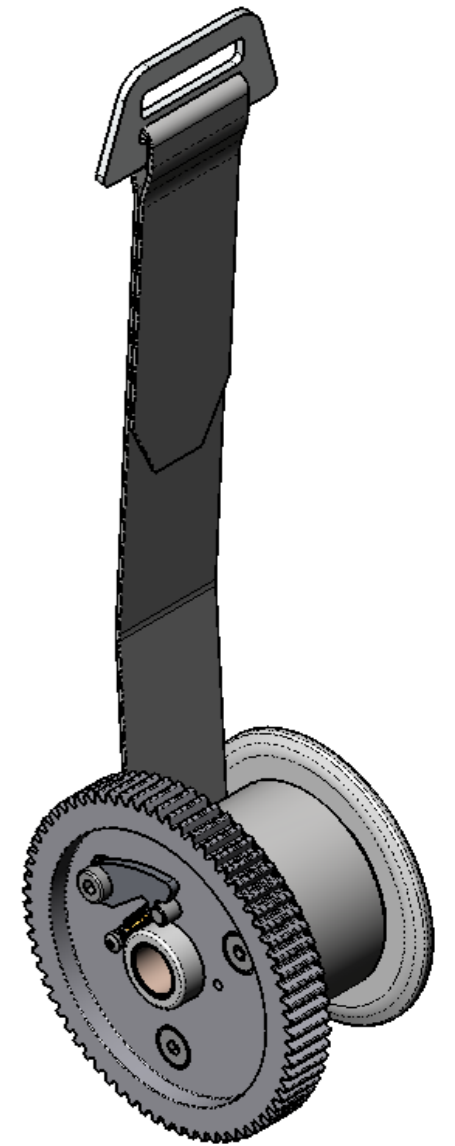
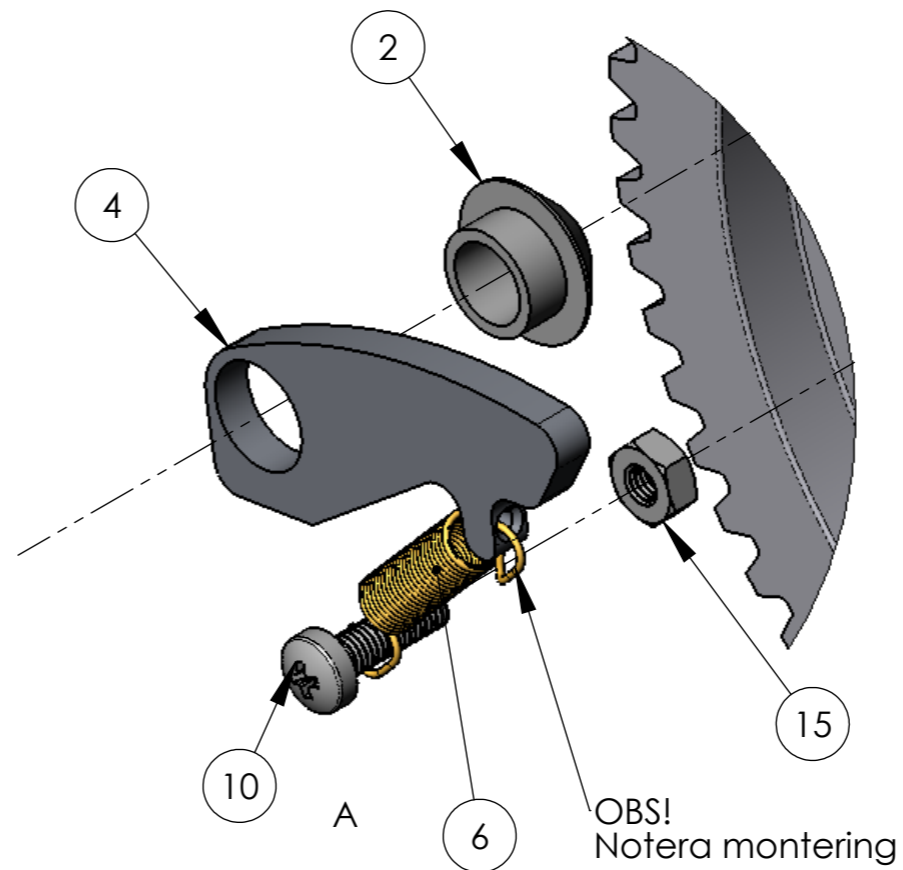
Pos. 11: Loctite 243.

Pos. 6: Öppning towards pos.4.

Pos. 10 & 15: 2mm between screw head and nut.

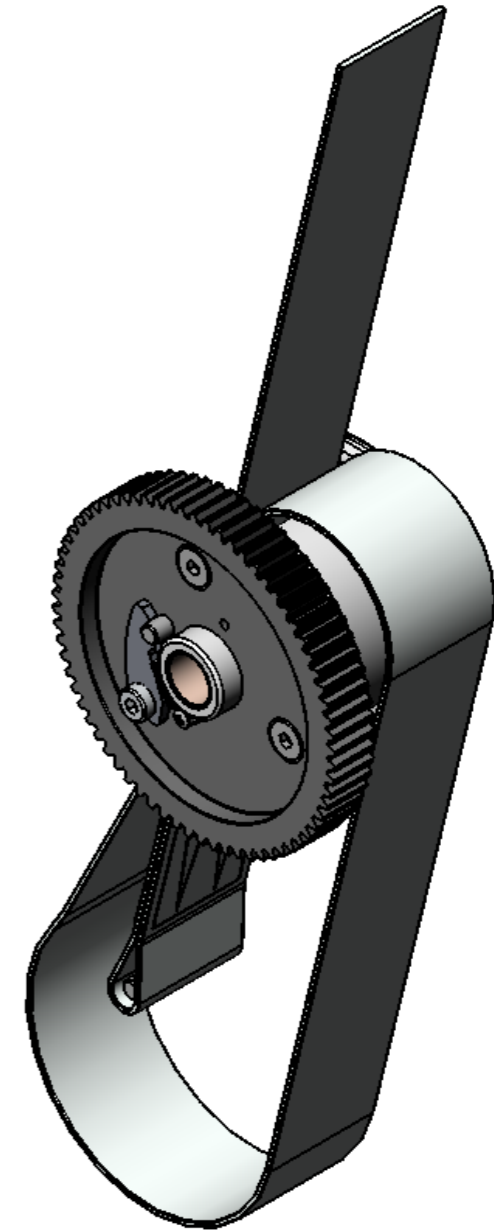
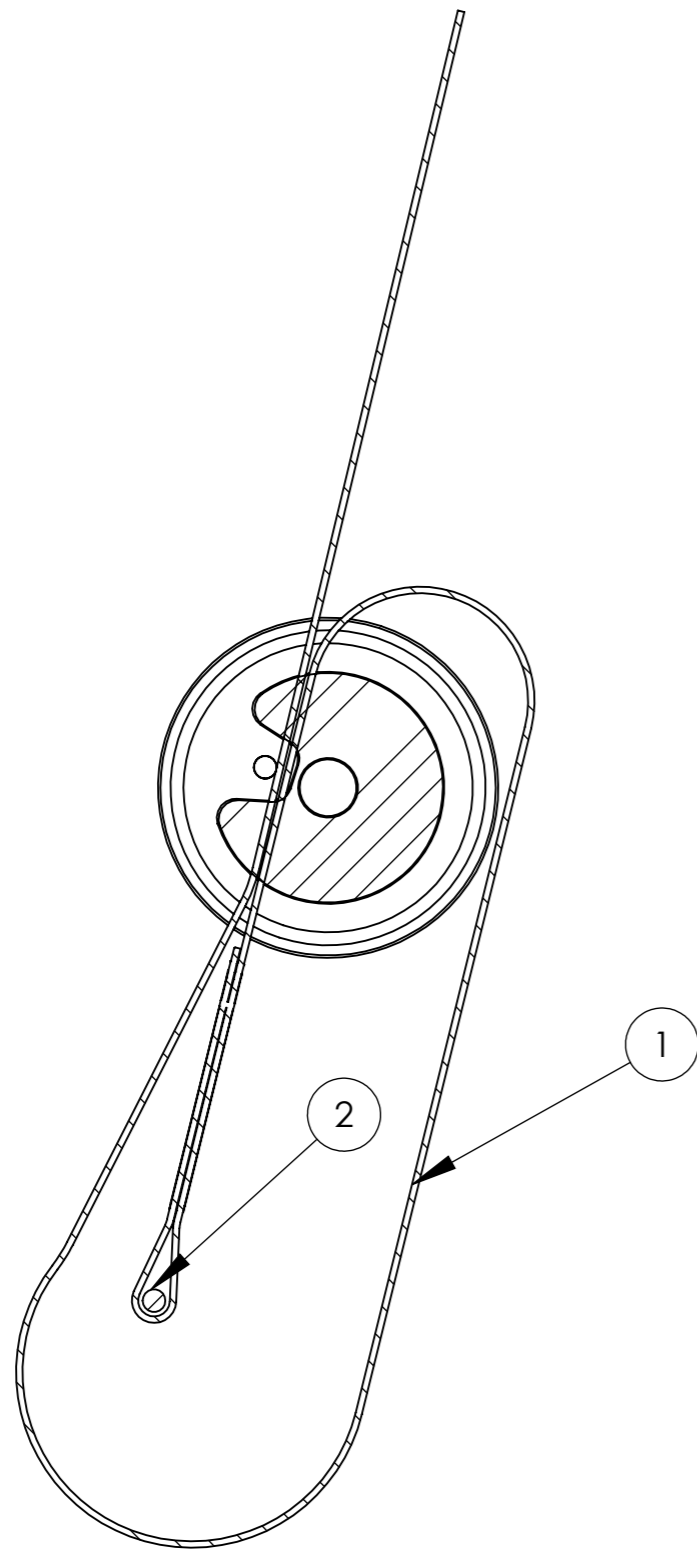
Pos. 7: Pushed under the axle with the dubble folding up, see page 2.

Pos. 8: Opening towards roll center.

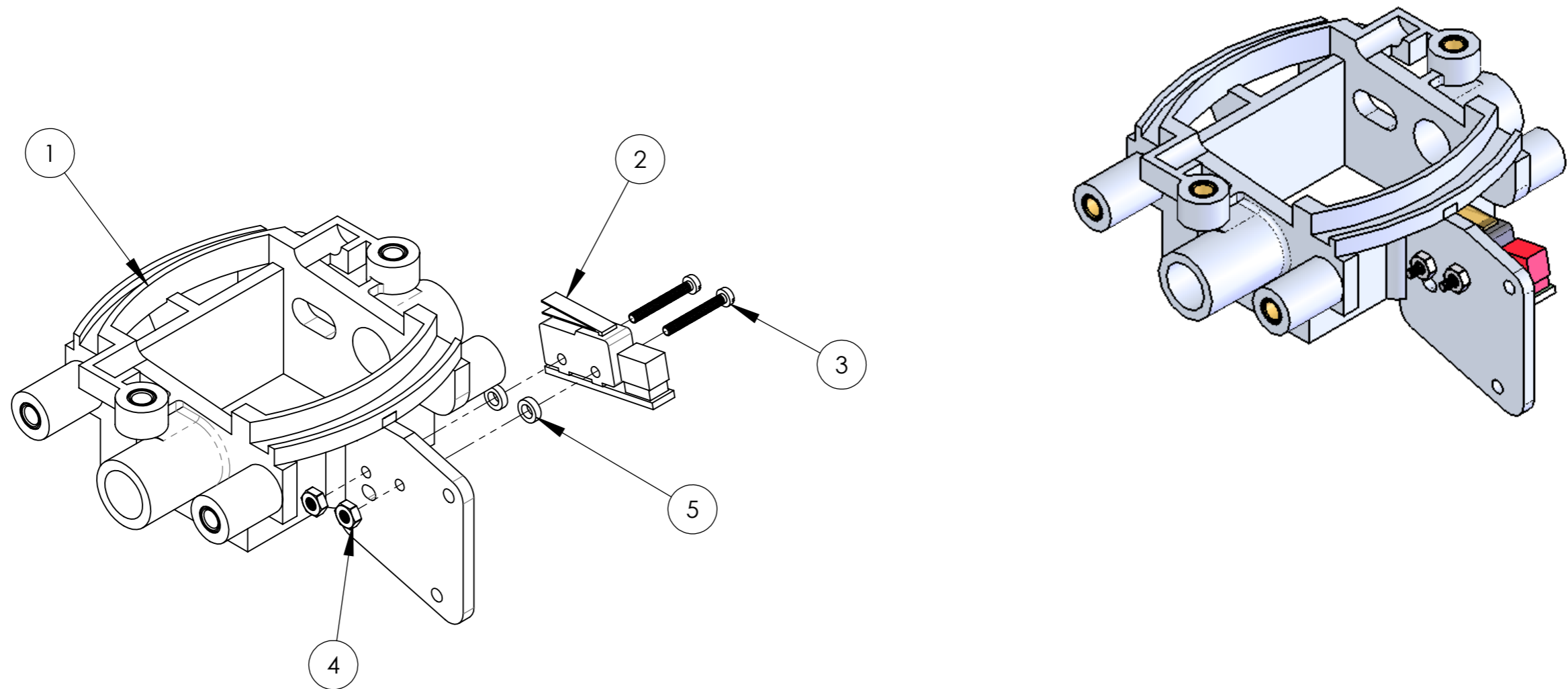


15	2	20407 Mutter M6M 3 A2	
11	1	20434 Skruv MC6LS M6x16	
10	1	50615 Skruv MRX Z 3x10 A2	
9	1	20320 Pinne lyftband rulle	
8	1	40011 Spärryttare RS A2 5x11x0.7	
7	1	50065 Lyftband grå	
6	1	50227 Fjäder fallspärr	
5	2	20293 skruv MF6S M6x12 A2	
4	1	50226 Säkerhetsspärr	
3	1	50075 Kuggjul Z=69	
2	1	20431 Kondistans fallspärr	
1	1	20199 Rulle R	

Pos. nr	Exploded/QTY.	Benämning	Anmärkning																																								
PROPRIETARY AND CONFIDENTIAL THE INFORMATION CONTAINED IN THIS DRAWING IS THE SOLE PROPERTY OF HUMAN CARE HC AB. ANY REPRODUCTION IN PART OR AS A WHOLE WITHOUT THE WRITTEN PERMISSION OF THE OWNER IS PROHIBITED.		Where nothing else specified Tolerance ISO 2768-m <table border="1"> <tr> <th>Nom. measure</th> <th>Tol. ±</th> <th>Nom. measure</th> <th>Tol. ±</th> </tr> <tr> <td>över</td> <td>t.o.m.</td> <td>över</td> <td>t.o.m.</td> </tr> <tr> <td>(0,5)</td> <td>3</td> <td>(120)</td> <td>400</td> </tr> <tr> <td>(3)</td> <td>6</td> <td>(400)</td> <td>1000</td> </tr> <tr> <td>(6)</td> <td>30</td> <td>(1000)</td> <td>2000</td> </tr> <tr> <td>(30)</td> <td>120</td> <td>(2000)</td> <td>4000</td> </tr> <tr> <td></td> <td></td> <td></td> <td>0.5</td> </tr> <tr> <td></td> <td></td> <td></td> <td>0.8</td> </tr> <tr> <td></td> <td></td> <td></td> <td>1.2</td> </tr> <tr> <td></td> <td></td> <td></td> <td>2</td> </tr> </table>	Nom. measure	Tol. ±	Nom. measure	Tol. ±	över	t.o.m.	över	t.o.m.	(0,5)	3	(120)	400	(3)	6	(400)	1000	(6)	30	(1000)	2000	(30)	120	(2000)	4000				0.5				0.8				1.2				2	Design by DNK Origin Drawn DNK OriginCheck NE Drawing Status Released Sheet 1(2) Origin Date 2007-09-05 Scale 1:1 Revision B Part no. 50081
Nom. measure	Tol. ±	Nom. measure	Tol. ±																																								
över	t.o.m.	över	t.o.m.																																								
(0,5)	3	(120)	400																																								
(3)	6	(400)	1000																																								
(6)	30	(1000)	2000																																								
(30)	120	(2000)	4000																																								
			0.5																																								
			0.8																																								
			1.2																																								
			2																																								
		HUMAN CARE Freedom to move!	Bandrulle komplett Singel 5100																																								



2	1	20320 Pinne lyftband rulle	
1	1	50065 Lyftband rulle ände	
Pos. no	QTY.	Article	Remark
PROPRIETARY AND CONFIDENTIAL THE INFORMATION CONTAINED IN THIS DRAWING IS THE SOLE PROPERTY OF HUMAN CARE HC AB. ANY REPRODUCTION IN PART OR AS A WHOLE WITHOUT THE WRITTEN PERMISSION OF THE OWNER IS PROHIBITED.	Where nothing else specified		Design by
	Tolerance ISO 2768-m		Origin Drawn
	Nom. measure		OriginCheck
	över t.o.m. Tol. ±		Drawing Status
			Sheet
			2(2)
			Origin Date
			2007-09-05
			Scale
			1:5
			Revision
			B
			Part no.
			50081

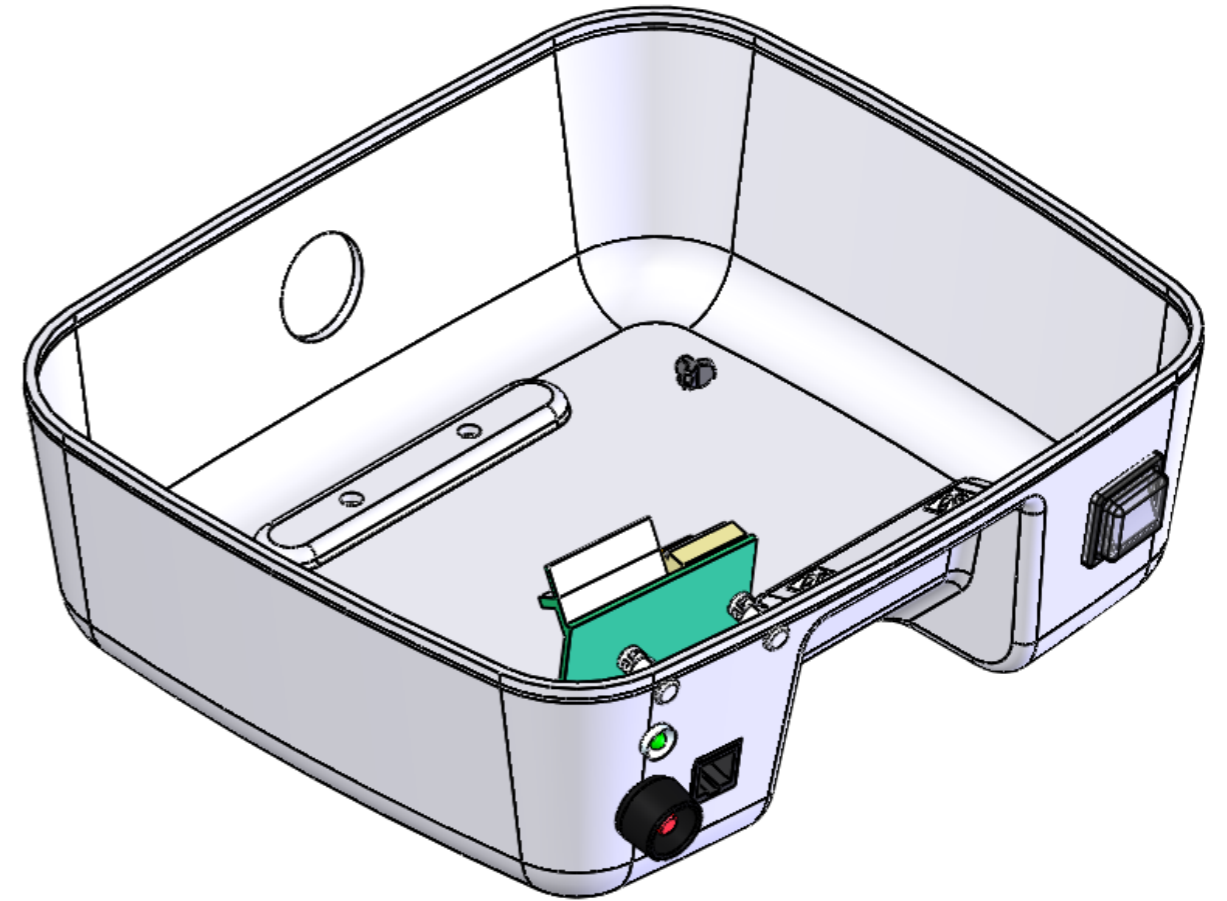
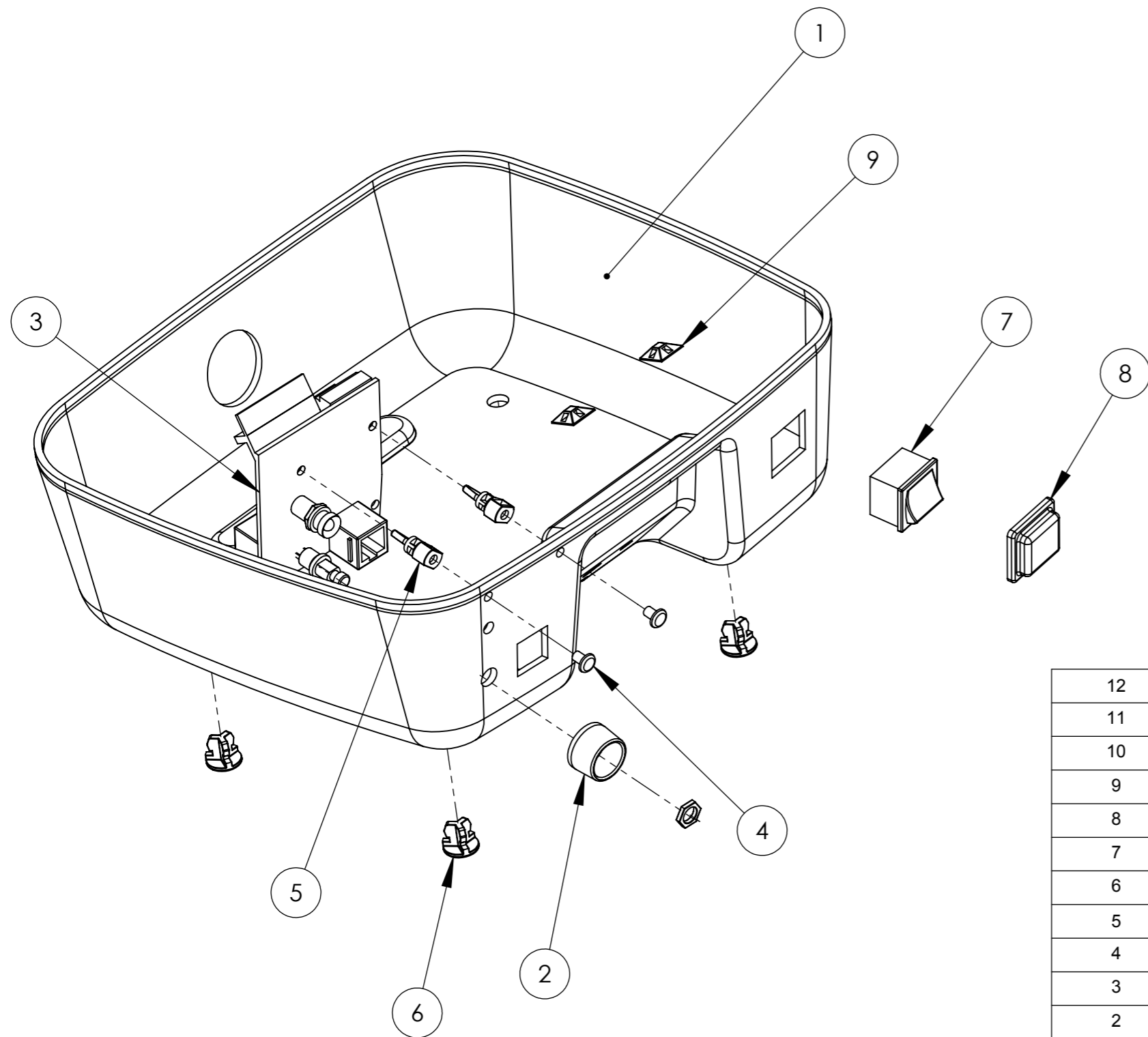


Pos. 2: Bocka upp yttersta 5mm något.

Pos. 2: Fold the outer 5mm slightly upwards

5	2	40019 Bricka 15x1x2.5	
4	2	40048 Mutter M6M 2,5 A2	
3	2	40046 Skruv MCS 2,5x14 A2	
2	1	50019 Mikrob,enkel	
1	1	50069 Brytarfäste med bussningar	

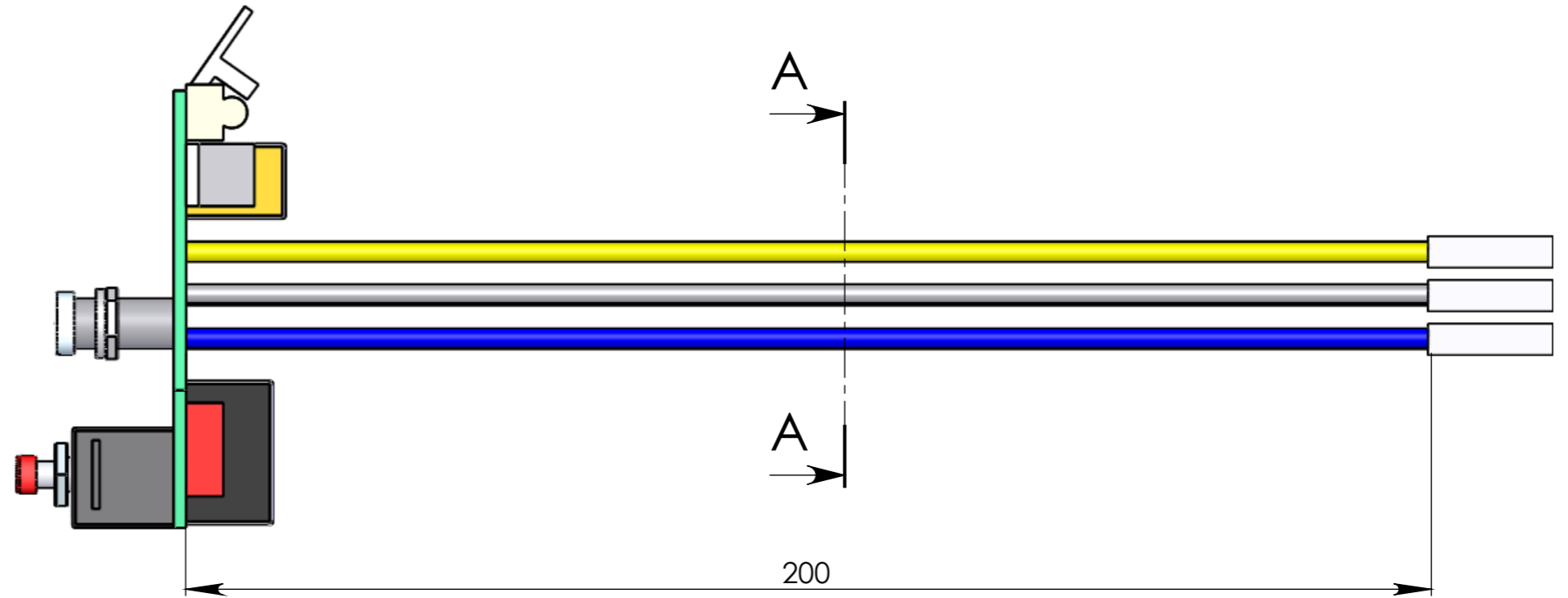
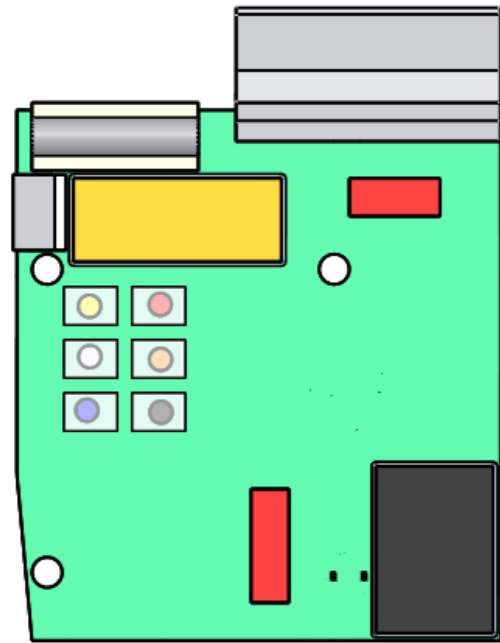
Pos. nr	Exploded/QTY.	Benämning	Anmärkning																								
PROPRIETARY AND CONFIDENTIAL THE INFORMATION CONTAINED IN THIS DRAWING IS THE SOLE PROPERTY OF HUMAN CARE HC AB. ANY REPRODUCTION IN PART OR AS A WHOLE WITHOUT THE WRITTEN PERMISSION OF THE OWNER IS PROHIBITED.		Where nothing else specified Tolerance ISO 2768-m <table border="1"> <tr> <th>Nom. measure</th> <th>Tol. ±</th> <th>Nom. measure</th> <th>Tol. ±</th> </tr> <tr> <td>över</td> <td>t.o.m.</td> <td>över</td> <td>t.o.m.</td> </tr> <tr> <td>(0,5)</td> <td>3</td> <td>(120)</td> <td>400</td> </tr> <tr> <td>(3)</td> <td>6</td> <td>(400)</td> <td>1000</td> </tr> <tr> <td>(6)</td> <td>30</td> <td>(1000)</td> <td>2000</td> </tr> <tr> <td>(30)</td> <td>120</td> <td>(2000)</td> <td>4000</td> </tr> </table>	Nom. measure	Tol. ±	Nom. measure	Tol. ±	över	t.o.m.	över	t.o.m.	(0,5)	3	(120)	400	(3)	6	(400)	1000	(6)	30	(1000)	2000	(30)	120	(2000)	4000	Design by DNK Origin Drawn DNK OriginCheck NE Drawing Status Released Sheet 1(1) Origin Date 2007-09-05 Scale 1:1 Revision B Part no. 50706
Nom. measure	Tol. ±	Nom. measure	Tol. ±																								
över	t.o.m.	över	t.o.m.																								
(0,5)	3	(120)	400																								
(3)	6	(400)	1000																								
(6)	30	(1000)	2000																								
(30)	120	(2000)	4000																								
			Complete bracket Singel 5100 & Herkules																								



12	1	50126 Dekal	
11	1	50329 Bandkabel gemensam	
10	1	50332 Bandkabel loop S	
9	2	50161 cable tie holder	Clean surface / Rengör underlaget
8	1	50153 Vattenskydd strömbrytare	
7	1	50152 Strömbrytare Marquardt 1804	
6	4	50134 Foot portable lift	
5	2	40016 Distans Panelkort	
4	2	20316 Trycknit panelkort	
3	1	50151 Panelkort Roomer V2 kompl utan switch	
2	1	50082 Krage nödfirningsknapp	
1	1	50497 Käpa under Singel V0	
Pos. no	Qty.	Article	Remark

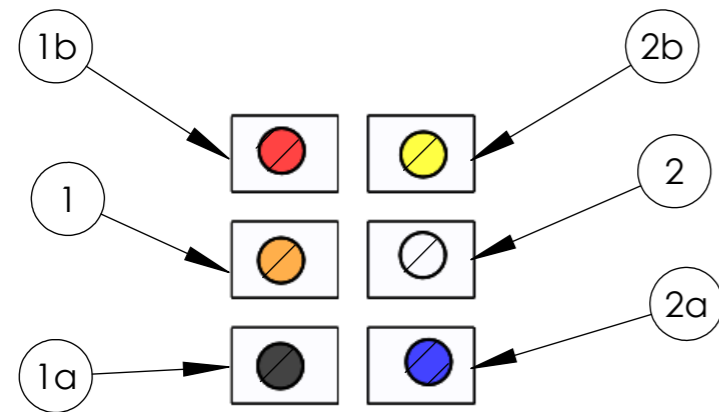
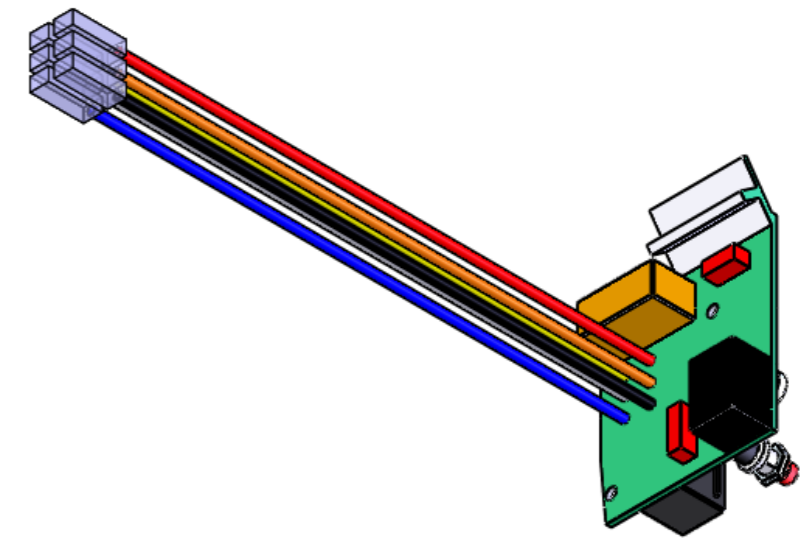
PROPRIETARY AND CONFIDENTIAL THE INFORMATION CONTAINED IN THIS DRAWING IS THE SOLE PROPERTY OF HUMAN CARE HC SWEDEN AB. ANY REPRODUCTION IN PART OR AS A WHOLE WITHOUT THE WRITTEN PERMISSION OF THE OWNER IS PROHIBITED.	Where nothing else specified						Design by	Origin Drawn	Origin Check	Drawing Status	Sheet
	Tolerance ISO 2768-m						MG	MG	FV	Released	1 (2)
	Nom. measure		Tol. ±		Nom. measure		Tol. ±		Complete lower cover Singel 5100-NA		
	över	t.o.m.	Tol. ±	över	t.o.m.	Tol. ±					
(0,5)	3	0,1	(120)	400	0,5						
(3)	6	0,1	(400)	1000	0,8						
(6)	30	0,2	(1000)	2000	1,2						
(30)	120	0,3	(2000)	4000	2						
Origin Date: 2013-04-15 Scale: 1:2 Revision: A Part no.: 50502											

Revision	Description	Page	Ref	Date	Made by	Checked by

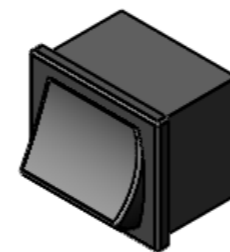


Montering med 50152 i enlighet med nedanstående bild. Siffror och bokstäver finns på strömbrytaren.

Assemble with 50152 in accordance to the below image. Digits and numbers are available on the switch.



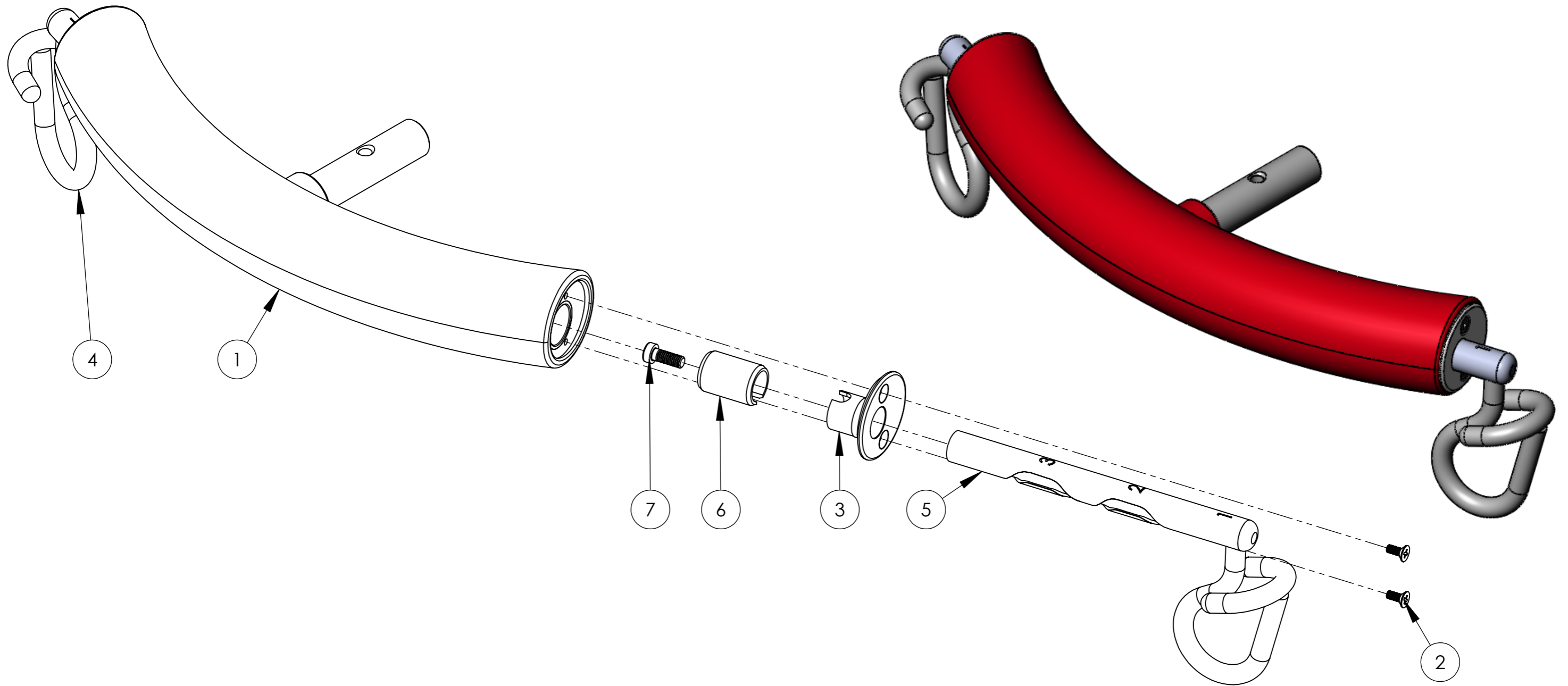
A-A
SCALE 2 : 1



50152

PROPRIETARY AND CONFIDENTIAL THE INFORMATION CONTAINED IN THIS DRAWING IS THE SOLE PROPERTY OF HUMAN CARE HC AB. ANY REPRODUCTION IN PART OR AS A WHOLE WITHOUT THE WRITTEN PERMISSION OF THE OWNER IS PROHIBITED.	Where nothing else specified						Design by	Origin Drawn	Origin Check	Drawing Status	Sheet
	Tolerance ISO 2768-m						MG	MG	FV	Released	2(2)
	Nom. measure		Tol. ±		Nom. measure		Tol. ±		Panelkort NA		
	över	t.o.m.	över	t.o.m.	över	t.o.m.	över	t.o.m.	Origin Date 2013-04-15		
(0,5)	3	0,1	(120)	400	0,5			Scale 1:1			
(3)	6	0,1	(400)	1000	0,8			Revision A			
(6)	30	0,2	(1000)	2000	1,2			Part no.			
(30)	120	0,3	(2000)	4000	2			50502			

Revision	Description	Page	Ref	Date	Made by	Checked by
----------	-------------	------	-----	------	---------	------------



Pos. no 7: Använd Loctite 243 på skruv och även under bussning

Pos. no 2: Använd Loctite 243 på skruvarna

Pos. no 7: Use Loctite 243 on screw and also under the bushing

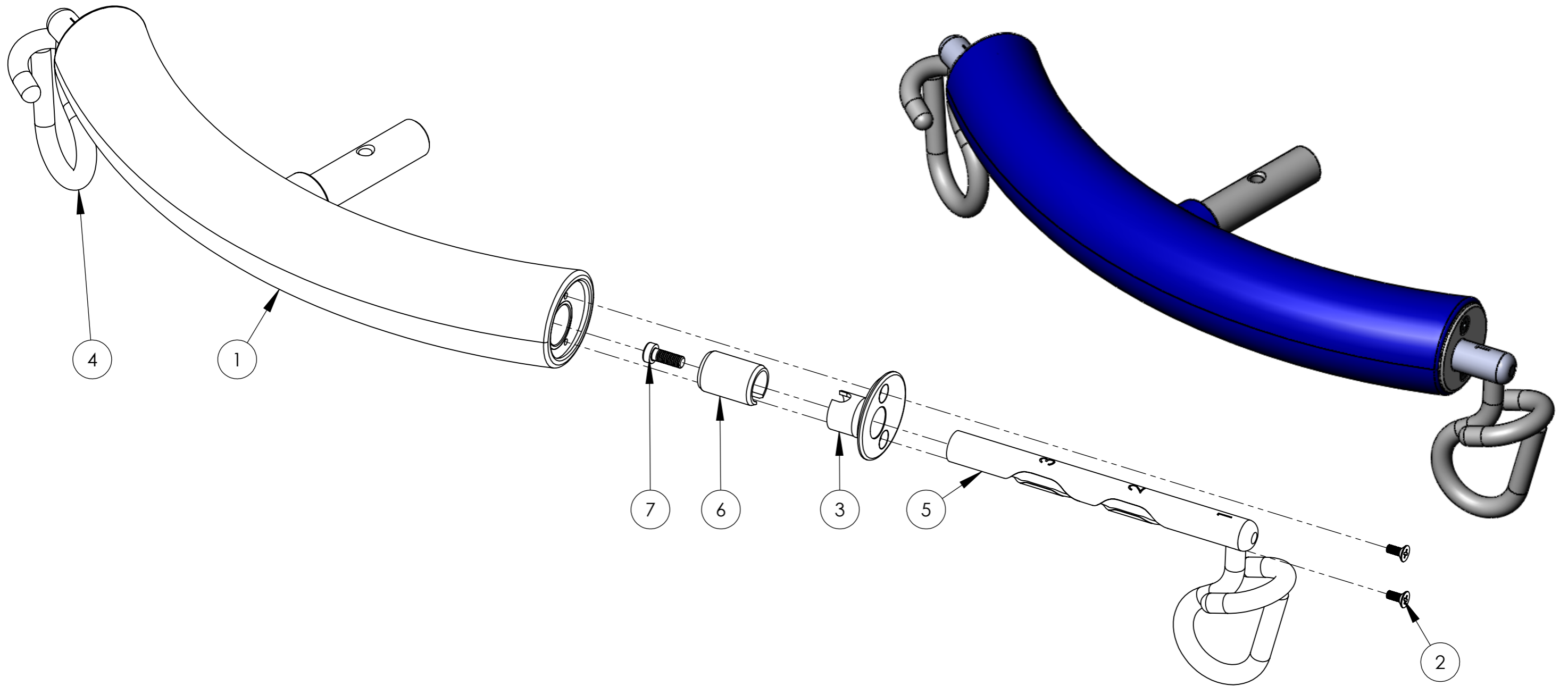
Pos. no 2: Use Loctite 243 on screws

B
B

7	2	20434 Skruv MC6LS M6x16	
6	2	50055 Glidbussning teleskopgalge	
5	1	50211 left hook telescopic bar	
4	1	50210 Right hook telescopic bar	
3	2	50057 Ändlock	
2	4	20298 Skruv MFX-H M4x10 A2	
1	1	50022 Inskummad teleskopgalge	
Pos. no	Exploded/QTY.	Article	Remark

PROPRIETARY AND CONFIDENTIAL THE INFORMATION CONTAINED IN THIS DRAWING IS THE SOLE PROPERTY OF HUMAN CARE HC AB. ANY REPRODUCTION IN PART OR AS A WHOLE WITHOUT THE WRITTEN PERMISSION OF THE OWNER IS PROHIBITED.	Where nothing else specified						Design by	Origin Drawn	OriginCheck	Drawing Status	Sheet
	Tolerance ISO 2768-m						NE	NE	BoS	Released	1(1)
	Nom. measure över	t.o.m.	Tol. ±	Nom. measure över	t.o.m.	Tol. ±					
(0,5)	3	0,1	(120)	400	0,5						
(3)	6	0,1	(400)	1000	0,8						
(6)	30	0,2	(1000)	2000	1,2						
(30)	120	0,3	(2000)	4000	2						
						Teleskopgalge kompl.		Roomer 5200, Singel 5100		Origin Date 2007-09-05 Scale 1:1 Revision B	
										Part no. 50052	

B	50021 removed. 50210 and 50211 added	1		2011-09-26	MG	FV
Revision	Description	Page	Ref	Date	Made by	Checked by



Pos. no 7: Använd Loctite 243 på skruv och även under bussning

Pos. no 2: Använd Loctite 243 på skruvarna

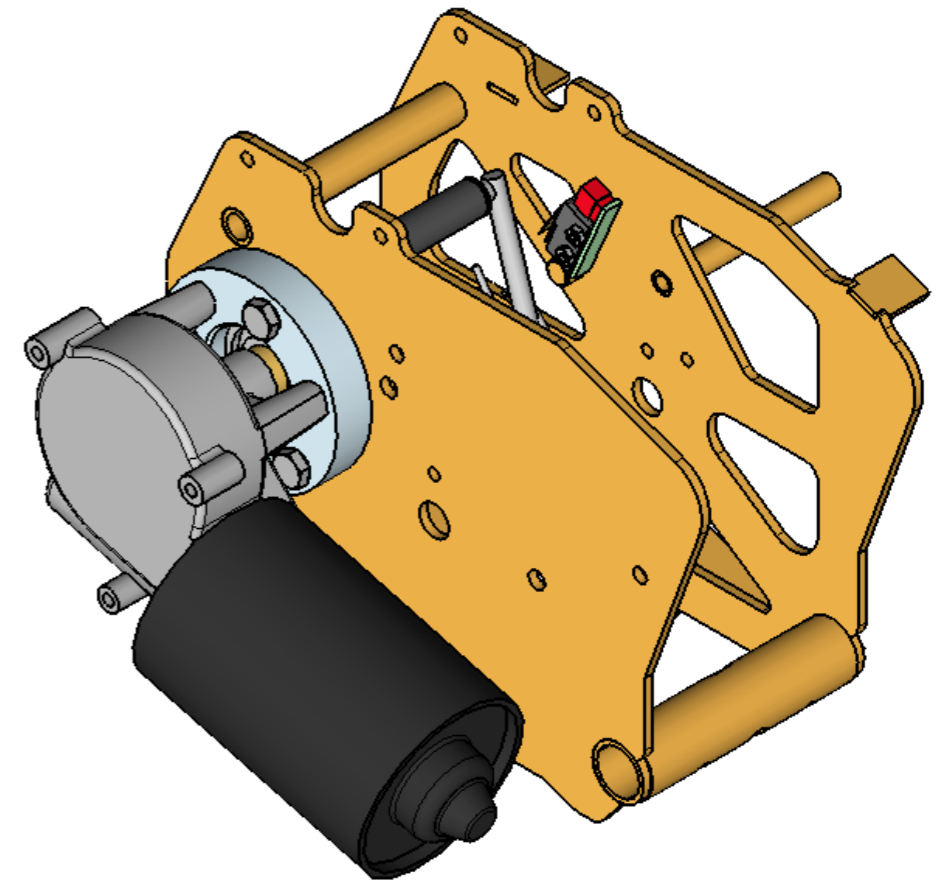
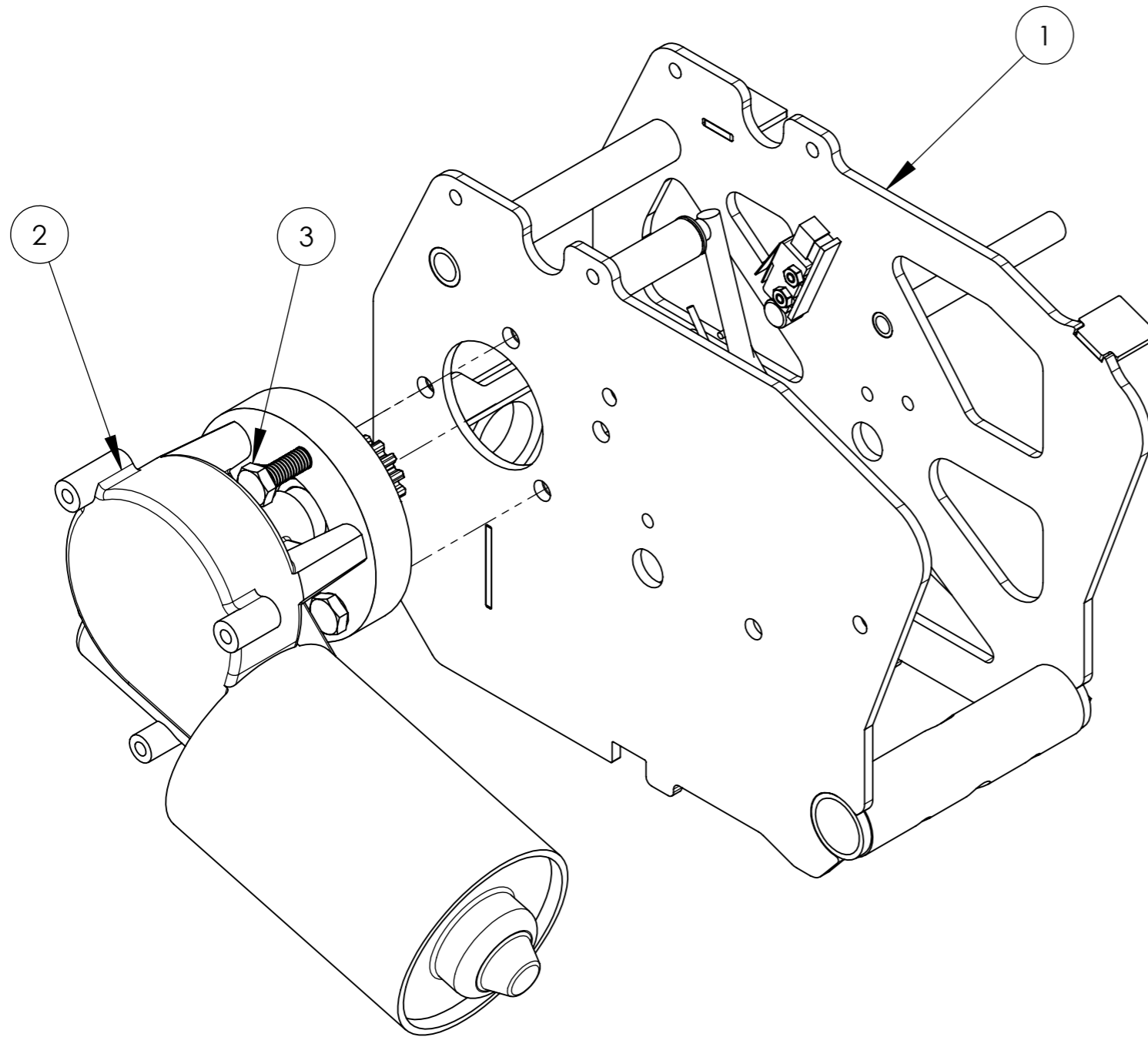
Pos. no 7: Use Loctite 243 on screw and also under the bushing

Pos. no 2: Use Loctite 243 on screws

7	2	20434 Skruv MC6LS M6x16	
6	2	50055 Glidbussning teleskopgalge	
5	1	50211 left hook telescopic bar	
4	1	50210 Right hook telescopic bar	
3	2	50057 Ändlock	
2	4	20298 Skruv MFX-H M4x10 A2	
1	1	50504 Inskummad teleskopgalge blå	
Pos. no	Exploded/QTY.	Article	Remark

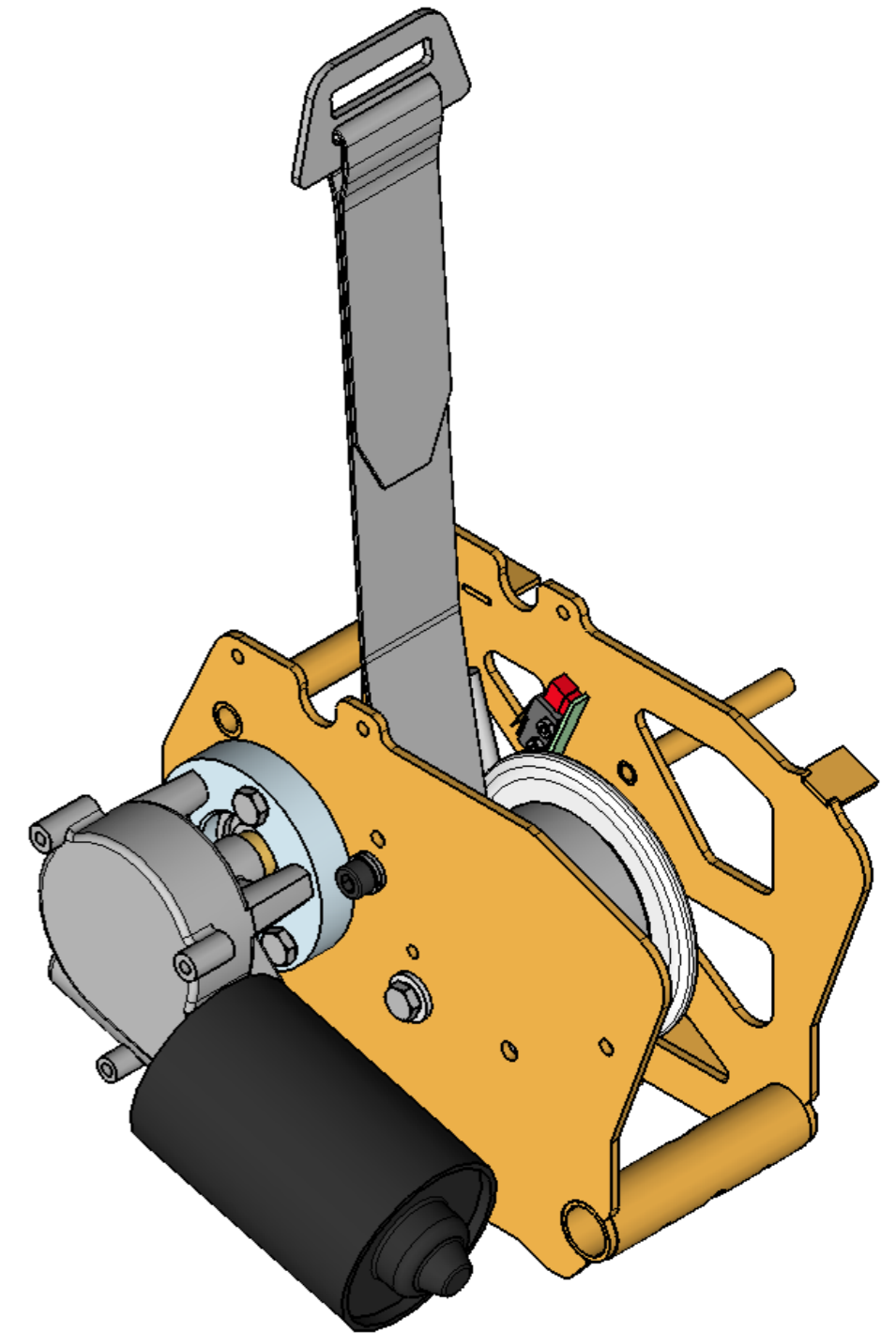
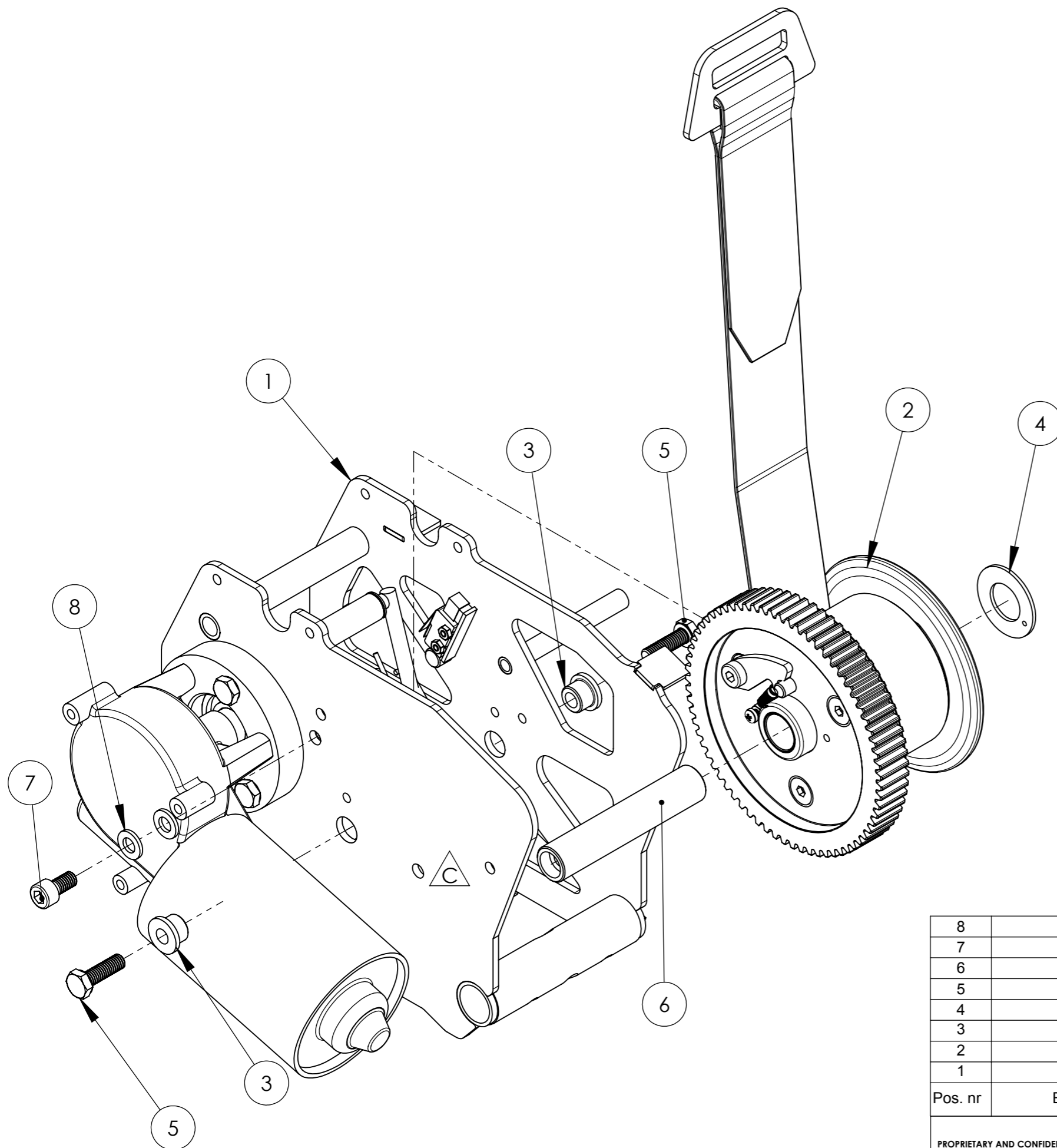
PROPRIETARY AND CONFIDENTIAL THE INFORMATION CONTAINED IN THIS DRAWING IS THE SOLE PROPERTY OF HUMAN CARE HC AB. ANY REPRODUCTION IN PART OR AS A WHOLE WITHOUT THE WRITTEN PERMISSION OF THE OWNER IS PROHIBITED.	Where nothing else specified			Design by	Origin Drawn	Origin Check	Drawing Status	Sheet
	Tolerance ISO 2768-m			MG	MG	FV	Released	1(1)
	Nom. measure	Tol. ±		Nom. measure		Tol. ±		Origin Date
	över	t.o.m.	över	t.o.m.	över	t.o.m.	över	t.o.m.
(0,5)	3	0,1	(120)	400	0,5	Telescopic bar blue		Scale
(3)	6	0,1	(400)	1000	0,8			1:1
(6)	30	0,2	(1000)	2000	1,2			Revision
(30)	120	0,3	(2000)	4000	2			A
								Part no.
								50505

Revision	Description	Page	Ref	Date	Made by	Checked by



3	2	20324 Skruv M6S 6x16 A2	
2	1	50707 Complete motor Singel	
1	1	50708 Complete chassie Singel	
Pos. nr	Motor/Ant.	Benämning	Anmärkning
PROPRIETARY AND CONFIDENTIAL		Where nothing else specified	Design by DNK
THE INFORMATION CONTAINED IN THIS DRAWING IS THE SOLE PROPERTY OF HUMAN CARE HC AB. ANY REPRODUCTION IN PART OR AS A WHOLE WITHOUT THE WRITTEN PERMISSION OF THE OWNER IS PROHIBITED.		Tolerance ISO 2768-m	Origin Drawn MG
		Nom. measure över t.o.m. Tol. ±	OriginCheck FV
		Nom. measure över t.o.m. Tol. ±	Drawing Status Released
		(0,5) 3 0,1 (120) 400 0,5 (3) 6 0,1 (400) 1000 0,8 (6) 30 0,2 (1000) 2000 1,2 (30) 120 0,3 (2000) 4000 2	Sheet 1 (8)
			Origin Date 2013-04-15
			Scale 1:1
			Revision C
			Part no. 50001-NA
			Chassi Singel 5100-NA

C	Note regarding washer changed 20311, screws for saefety catch corrected	2		2013-06-17	MG	FV
B	Drawing updated with new template			2011-10-20	MG	FV
Revision	Description	Page	Ref	Date	Made by	Checked by



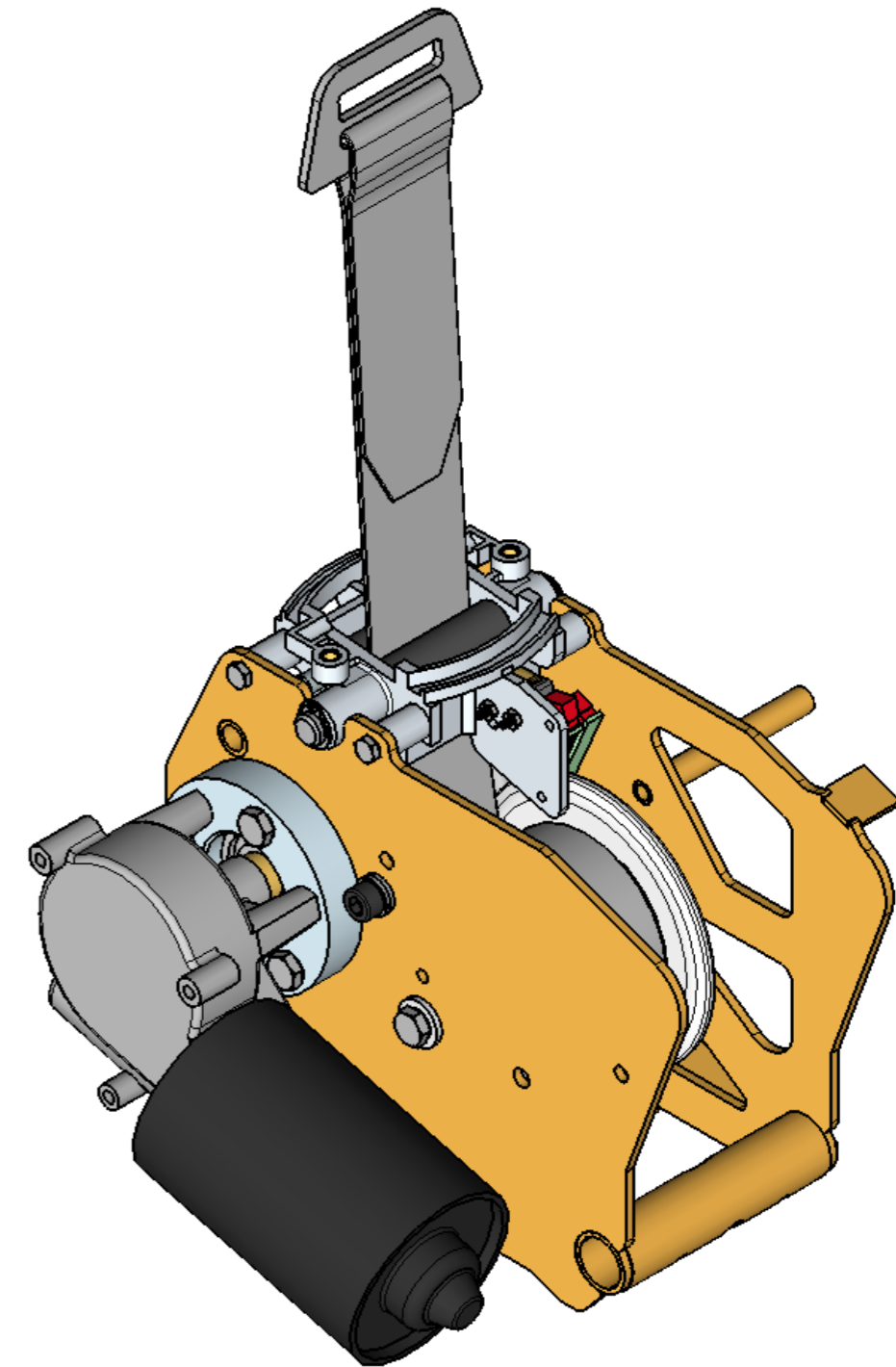
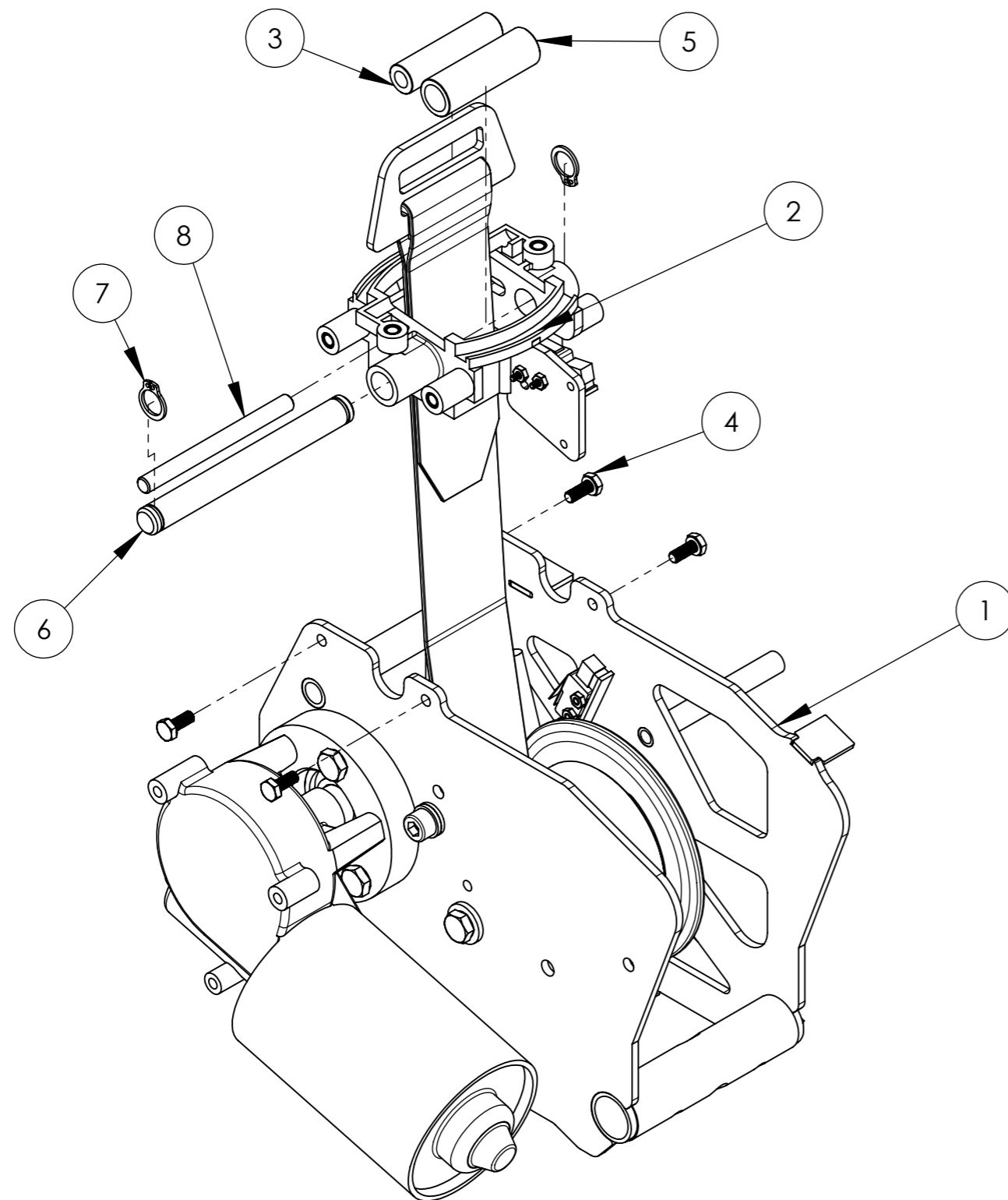
△ Pos. 4: PTFE mot bandrulle (2) Pos. 4: PTFE towards the belt roll (2)

8	2	20261 Washer BRB 6,4x12x1,5 fzb	
7	1	50623 UNBRAKO MC6S 6x12	
6	1	50077 Axel bandrulle	
5	2	20323 Skruv M6S 6 x 20 A2	
4	1	20311 Teflonbricka	
3	2	20024 Bussning	
2	1	50081 Bandrulle kompl singel	
1	1	50708 Complete chassie Singel	

Pos. nr	Beltroll/Ant.	Benämning	Anmärkning																																								
PROPRIETARY AND CONFIDENTIAL THE INFORMATION CONTAINED IN THIS DRAWING IS THE SOLE PROPERTY OF HUMAN CARE HC AB. ANY REPRODUCTION IN PART OR AS A WHOLE WITHOUT THE WRITTEN PERMISSION OF THE OWNER IS PROHIBITED.		Where nothing else specified Tolerance ISO 2768-m <table border="1"> <tr> <th>Nom. measure</th> <th>Tol. ±</th> <th>Nom. measure</th> <th>Tol. ±</th> </tr> <tr> <td>över</td> <td>t.o.m.</td> <td>över</td> <td>t.o.m.</td> </tr> <tr> <td>(0,5)</td> <td>3</td> <td>(120)</td> <td>400</td> </tr> <tr> <td>(3)</td> <td>6</td> <td>(400)</td> <td>1000</td> </tr> <tr> <td>(6)</td> <td>30</td> <td>(1000)</td> <td>2000</td> </tr> <tr> <td>(30)</td> <td>120</td> <td>(2000)</td> <td>4000</td> </tr> <tr> <td></td> <td></td> <td></td> <td>0,5</td> </tr> <tr> <td></td> <td></td> <td></td> <td>0,8</td> </tr> <tr> <td></td> <td></td> <td></td> <td>1,2</td> </tr> <tr> <td></td> <td></td> <td></td> <td>2</td> </tr> </table>	Nom. measure	Tol. ±	Nom. measure	Tol. ±	över	t.o.m.	över	t.o.m.	(0,5)	3	(120)	400	(3)	6	(400)	1000	(6)	30	(1000)	2000	(30)	120	(2000)	4000				0,5				0,8				1,2				2	Design by DNK Origin Drawn MG Origin Check FV Drawing Status Released Sheet 2(8) Origin Date 2013-04-15 Scale 1:1 Revision C Part no. 50001-NA
Nom. measure	Tol. ±	Nom. measure	Tol. ±																																								
över	t.o.m.	över	t.o.m.																																								
(0,5)	3	(120)	400																																								
(3)	6	(400)	1000																																								
(6)	30	(1000)	2000																																								
(30)	120	(2000)	4000																																								
			0,5																																								
			0,8																																								
			1,2																																								
			2																																								



Chassi Singel 5100-NA



OBS! Lyftband skall vara mellan pos. 3, 5 och pos. 6, 8

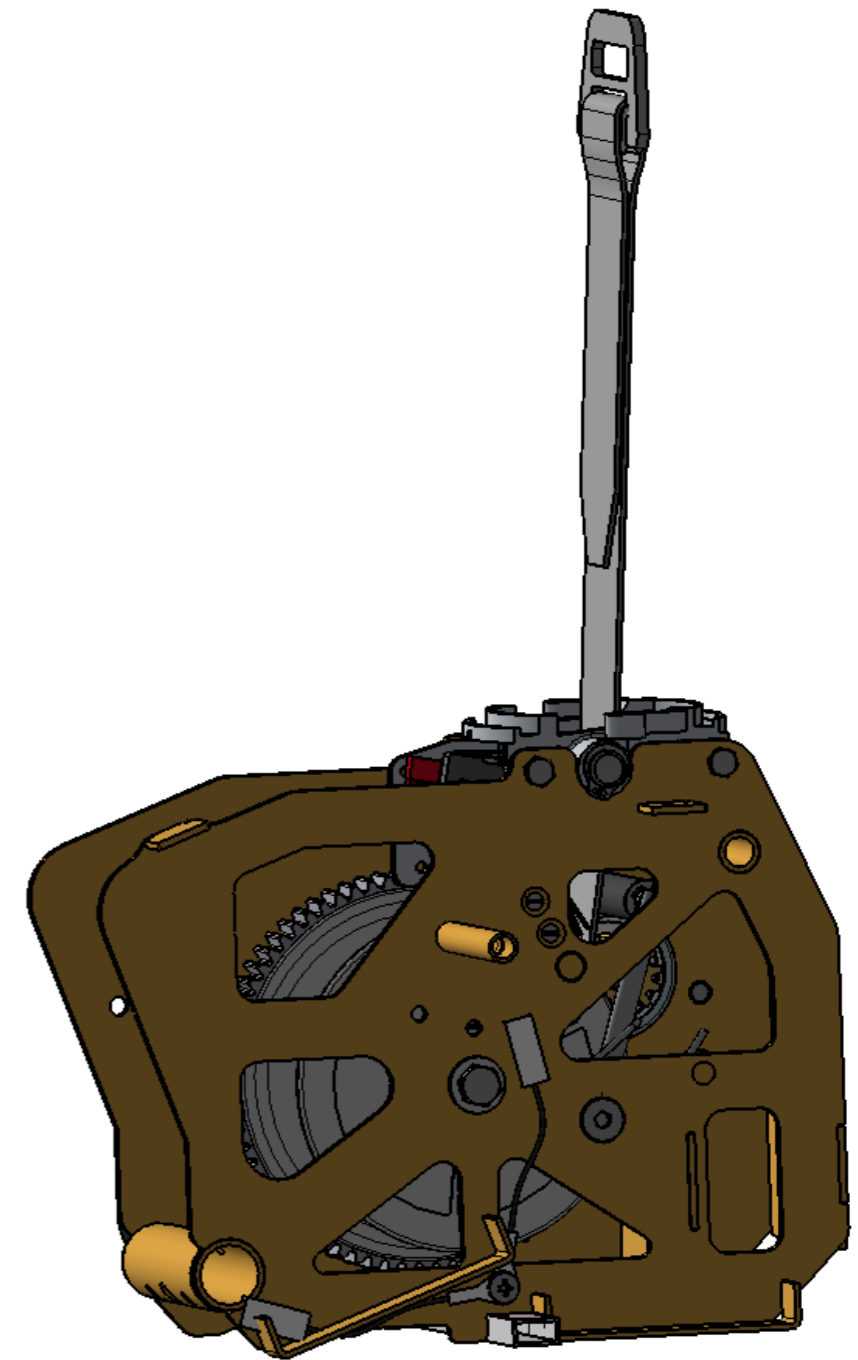
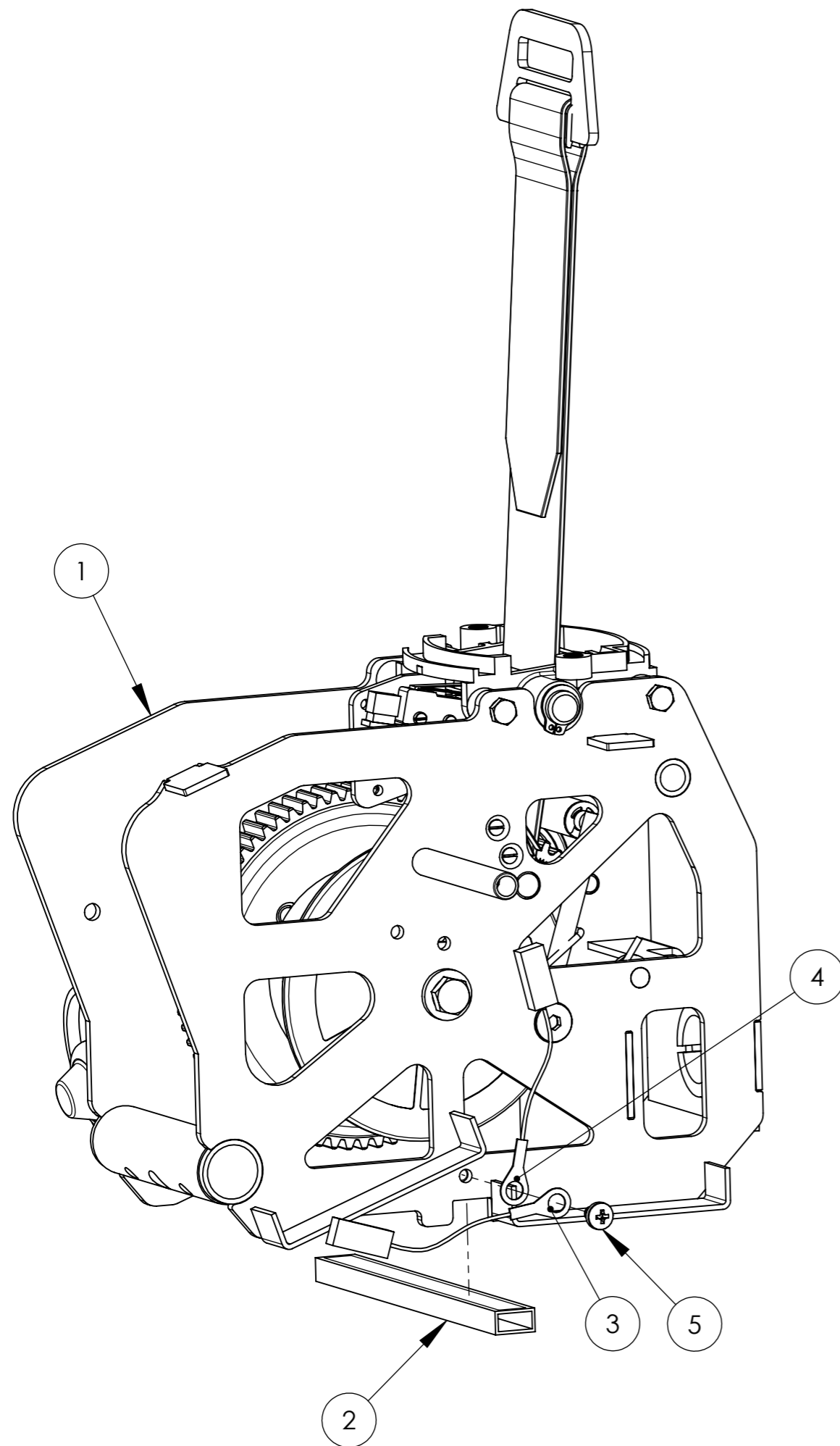
OBS! Lifting belt between pos. 3, 5 and pos. 6, 8

8	1	50071 Axel 6, brytarfäste S	
7	2	40052 Spärring AZSGA10	
6	1	50070 Axel 10 Brytarfäste Singel	
5	1	20012 Rulle stor brytarfäste	
4	4	20326 Skruv M6S 4 x 10 A2	
3	1	50235 Rulle BSV	
2	1	50706 Complete bracket	
1	1	50708 Complete chassi Singel	

Pos. nr	Bracket/Ant.	Benämning	Anmärkning
PROPRIETARY AND CONFIDENTIAL		Where nothing else specified	Design by
THE INFORMATION CONTAINED IN THIS DRAWING IS THE SOLE PROPERTY OF HUMAN CARE HC AB. ANY REPRODUCTION IN PART OR AS A WHOLE WITHOUT THE WRITTEN PERMISSION OF THE OWNER IS PROHIBITED.		Tolerance ISO 2768-m	Origin Drawn
		Nom. measure över t.o.m. Tol. ±	Origin Check
		Nom. measure över t.o.m. Tol. ±	Drawing Status
			Sheet
			Released
			3(8)
			Origin Date
			2013-04-15
			Scale
			1:1
			Revision
			C
			Part no.
			50001-NA



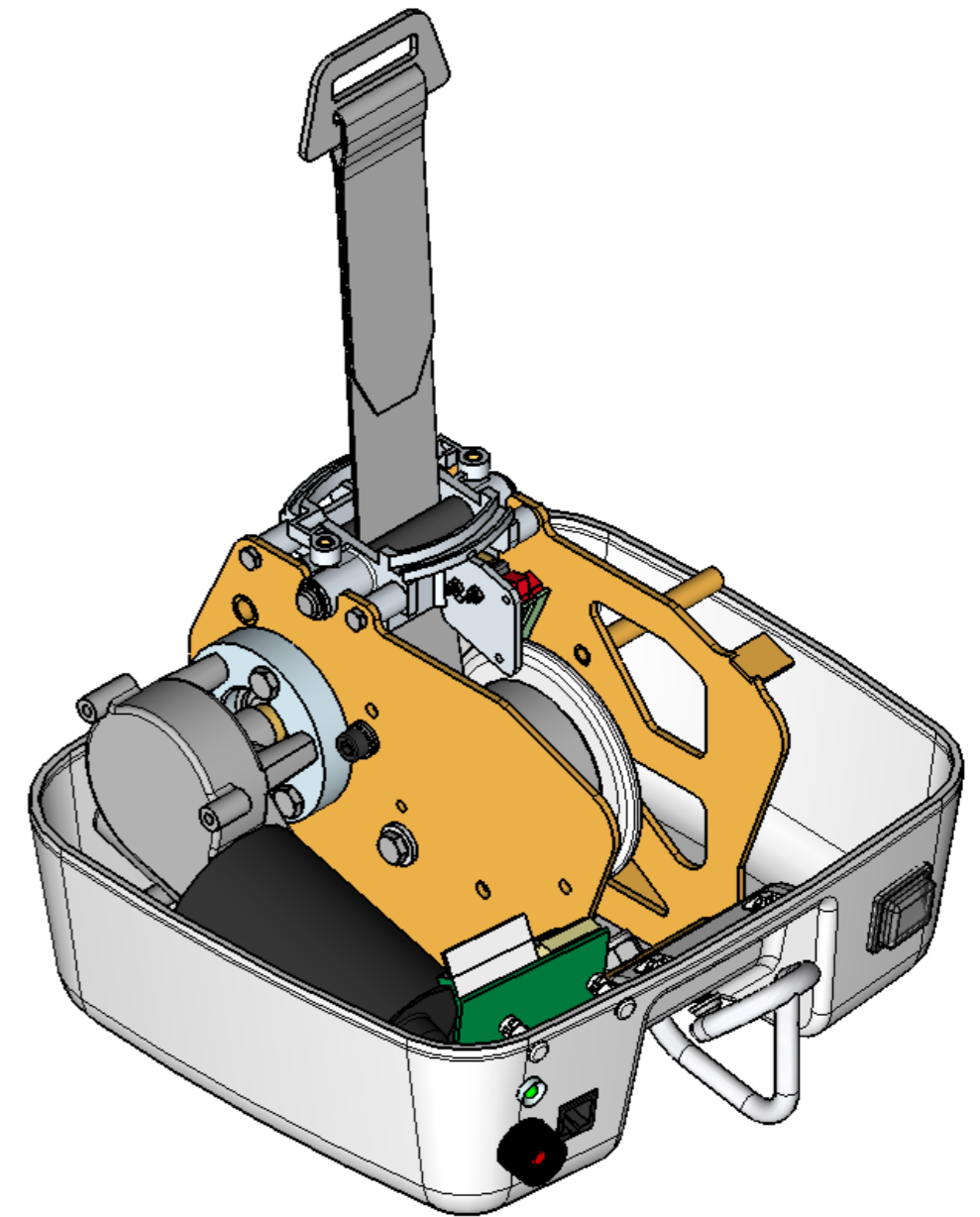
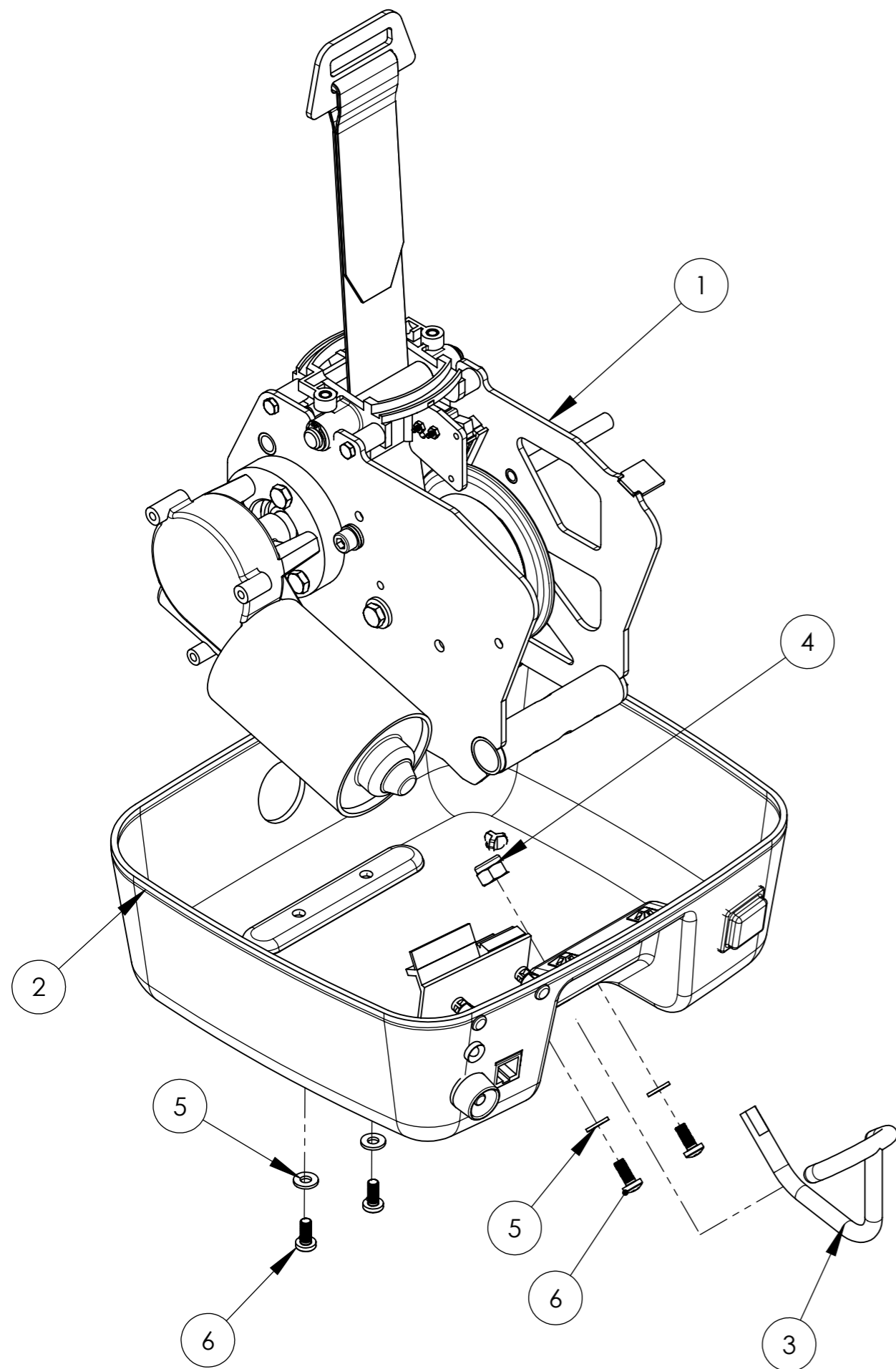
Chassi Singel 5100-NA



5	1	22050 Skruv MRX-H 4x6 A2	
4	1	50326 Kabel, jord gemensam	
3	1	50328 Kraftkabel, gemensam	
2	1	50330 Kabelkanal gemensam	
1	1	50708 Complete chassi Singel	

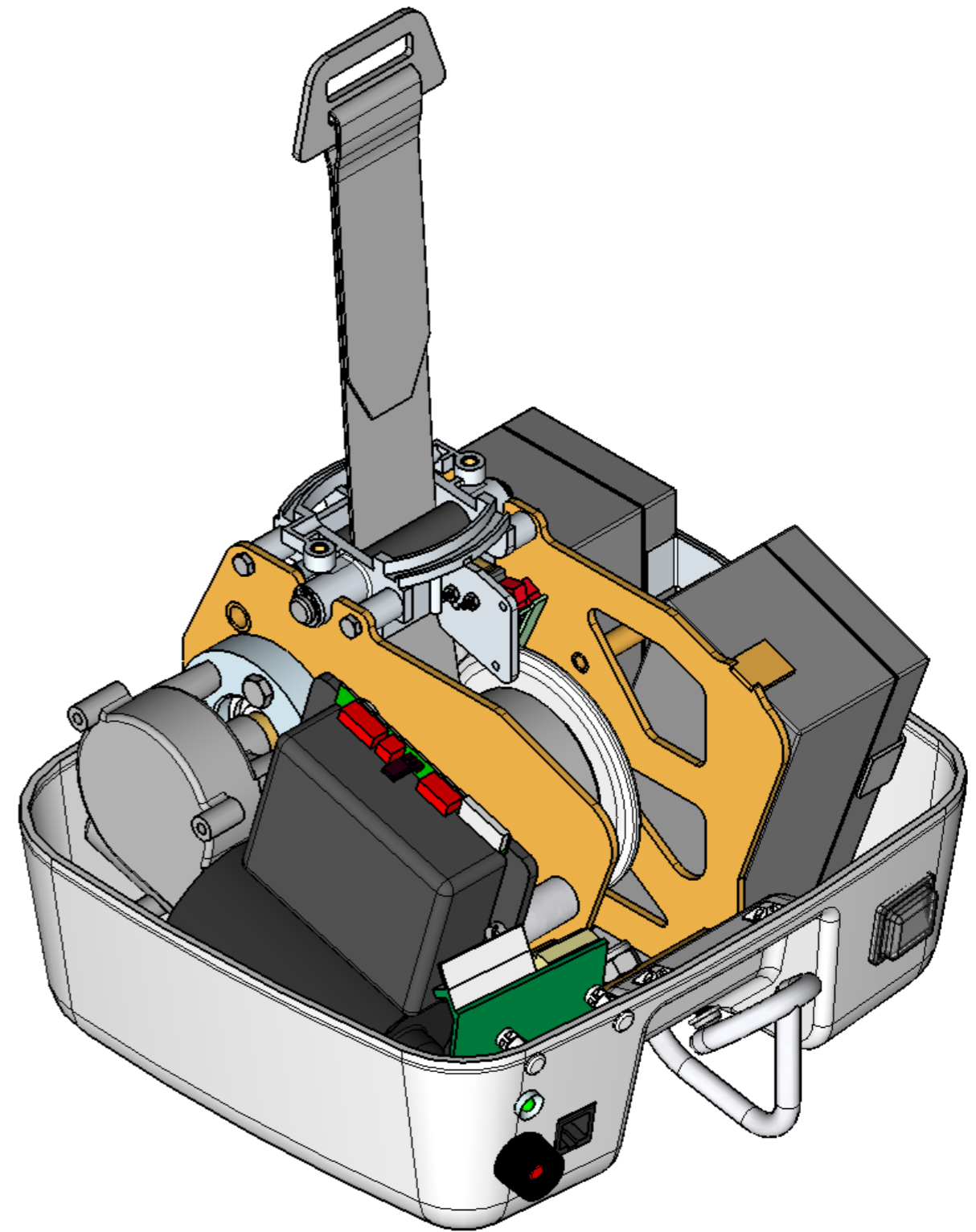
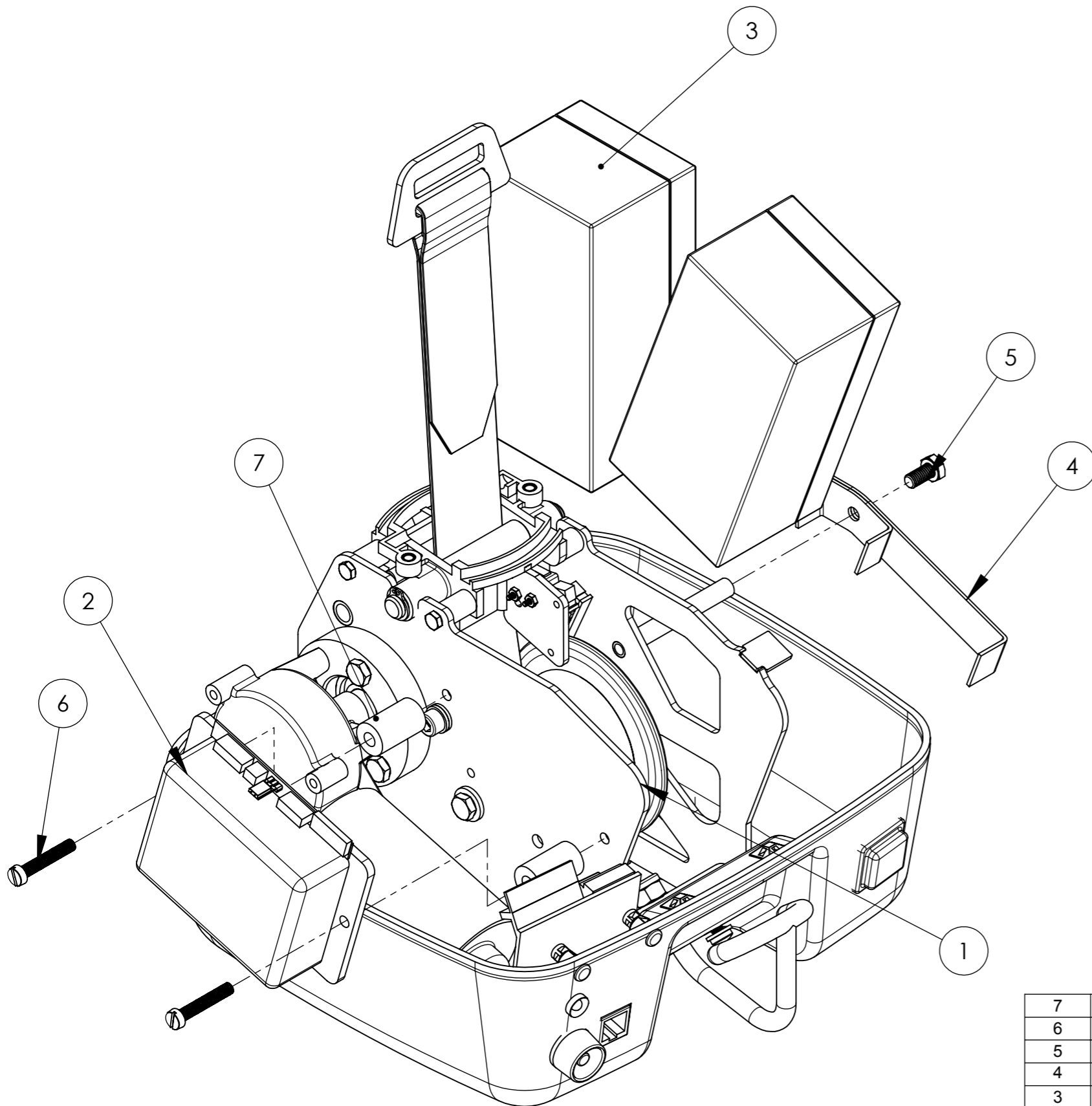
Pos. nr	Ground cables/Ant.	Benämning	Anmärkning
---------	--------------------	-----------	------------

PROPRIETARY AND CONFIDENTIAL THE INFORMATION CONTAINED IN THIS DRAWING IS THE SOLE PROPERTY OF HUMAN CARE HC AB. ANY REPRODUCTION IN PART OR AS A WHOLE WITHOUT THE WRITTEN PERMISSION OF THE OWNER IS PROHIBITED.	Where nothing else specified						Design by	Origin Drawn	OriginCheck	Drawing Status	Sheet
	Tolerance ISO 2768-m						DNK	MG	FV	Released	4(8)
	Nom. measure		Tol. ±		Nom. measure						Origin Date
	över	t.o.m.	Tol. ±	över	t.o.m.	Tol. ±					2013-04-15
(0,5)	3	0,1	(120)	400	0,5			Chassi Singel 5100-NA		Scale	Revision
(3)	6	0,1	(400)	1000	0,8					1:1	C
(6)	30	0,2	(1000)	2000	1,2					Part no.	
(30)	120	0,3	(2000)	4000	2					50001-NA	



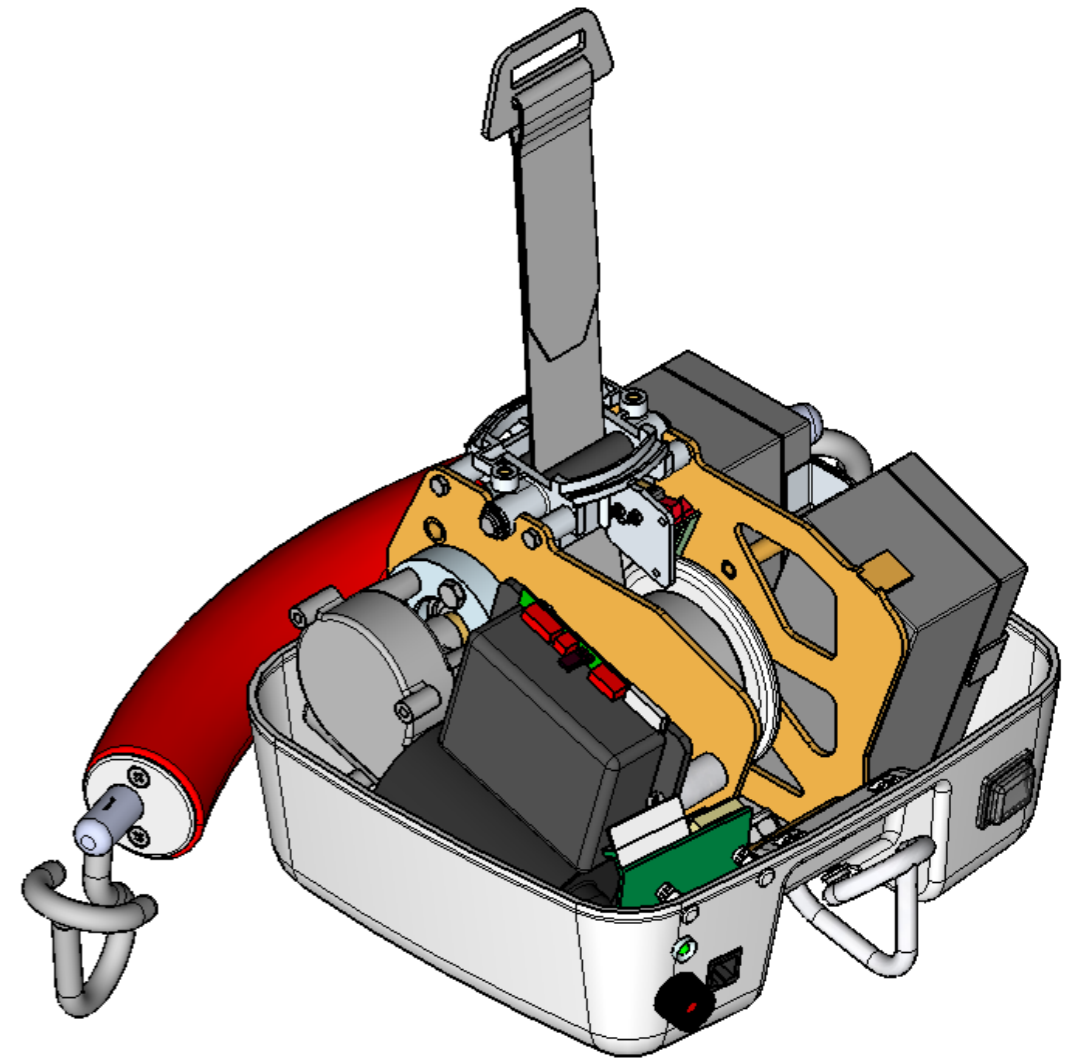
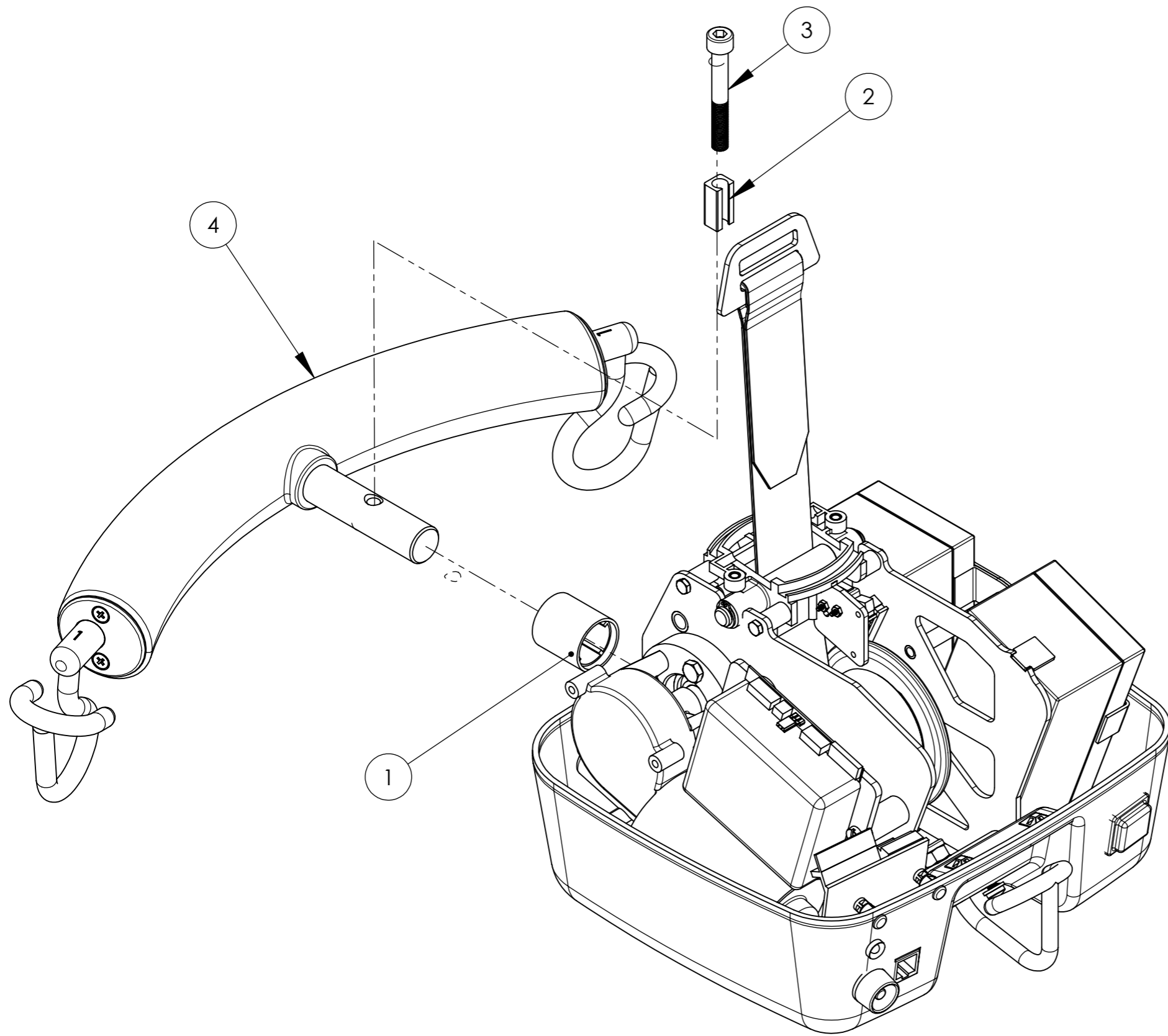
6	4	20291 Skruv MRX M5x12 A2	
5	4	20264 Bricka 5,3x11,5x1,4 Nylon	
4	1	20408 Låsmutter Locking M8 fzb	
3	1	50613 Benkrok	
2	1	50502 Komplet underkåpa Singel V0	
1	1	50708 Complete chassie Singel	

Pos. nr	Kåpa undre med krok/Ant.	Benämning	Anmärkning																								
<p>PROPRIETARY AND CONFIDENTIAL</p> <p>THE INFORMATION CONTAINED IN THIS DRAWING IS THE SOLE PROPERTY OF HUMAN CARE HC AB. ANY REPRODUCTION IN PART OR AS A WHOLE WITHOUT THE WRITTEN PERMISSION OF THE OWNER IS PROHIBITED.</p>		<p>Where nothing else specified Tolerance ISO 2768-m</p> <table border="1"> <thead> <tr> <th>Nom. measure</th> <th>Tol. ±</th> <th>Nom. measure</th> <th>Tol. ±</th> </tr> <tr> <th>över</th> <th>t.o.m.</th> <th>över</th> <th>t.o.m.</th> </tr> </thead> <tbody> <tr> <td>(0,5)</td> <td>3</td> <td>(120)</td> <td>400</td> </tr> <tr> <td>(3)</td> <td>6</td> <td>(400)</td> <td>1000</td> </tr> <tr> <td>(6)</td> <td>30</td> <td>(1000)</td> <td>2000</td> </tr> <tr> <td>(30)</td> <td>120</td> <td>(2000)</td> <td>4000</td> </tr> </tbody> </table>	Nom. measure	Tol. ±	Nom. measure	Tol. ±	över	t.o.m.	över	t.o.m.	(0,5)	3	(120)	400	(3)	6	(400)	1000	(6)	30	(1000)	2000	(30)	120	(2000)	4000	<p>Design by: DNK</p> <p>Origin Drawn: MG</p> <p>Origin Check: FV</p> <p>Drawing Status: Released</p> <p>Sheet: 5(8)</p> <p>Origin Date: 2013-04-15</p> <p>Scale: 1:1</p> <p>Revision: C</p> <p>Part no.: 50001-NA</p>
Nom. measure	Tol. ±	Nom. measure	Tol. ±																								
över	t.o.m.	över	t.o.m.																								
(0,5)	3	(120)	400																								
(3)	6	(400)	1000																								
(6)	30	(1000)	2000																								
(30)	120	(2000)	4000																								
		<p>HUMAN CARE</p> <p>Freedom to move!</p>	<p>Chassi Singel 5100-NA</p>																								



7	2	50661 Distans 6,3x25
6	2	50660 MCS 5x30 A2
5	1	20325 Skruv M6S 6 x12 A2
4	1	50074 Låsbygel batteri
3	2	20203 Batteri Leader CT32-12
2	1	50015 Styrenhet
1	1	50708 Complete chassie Singel

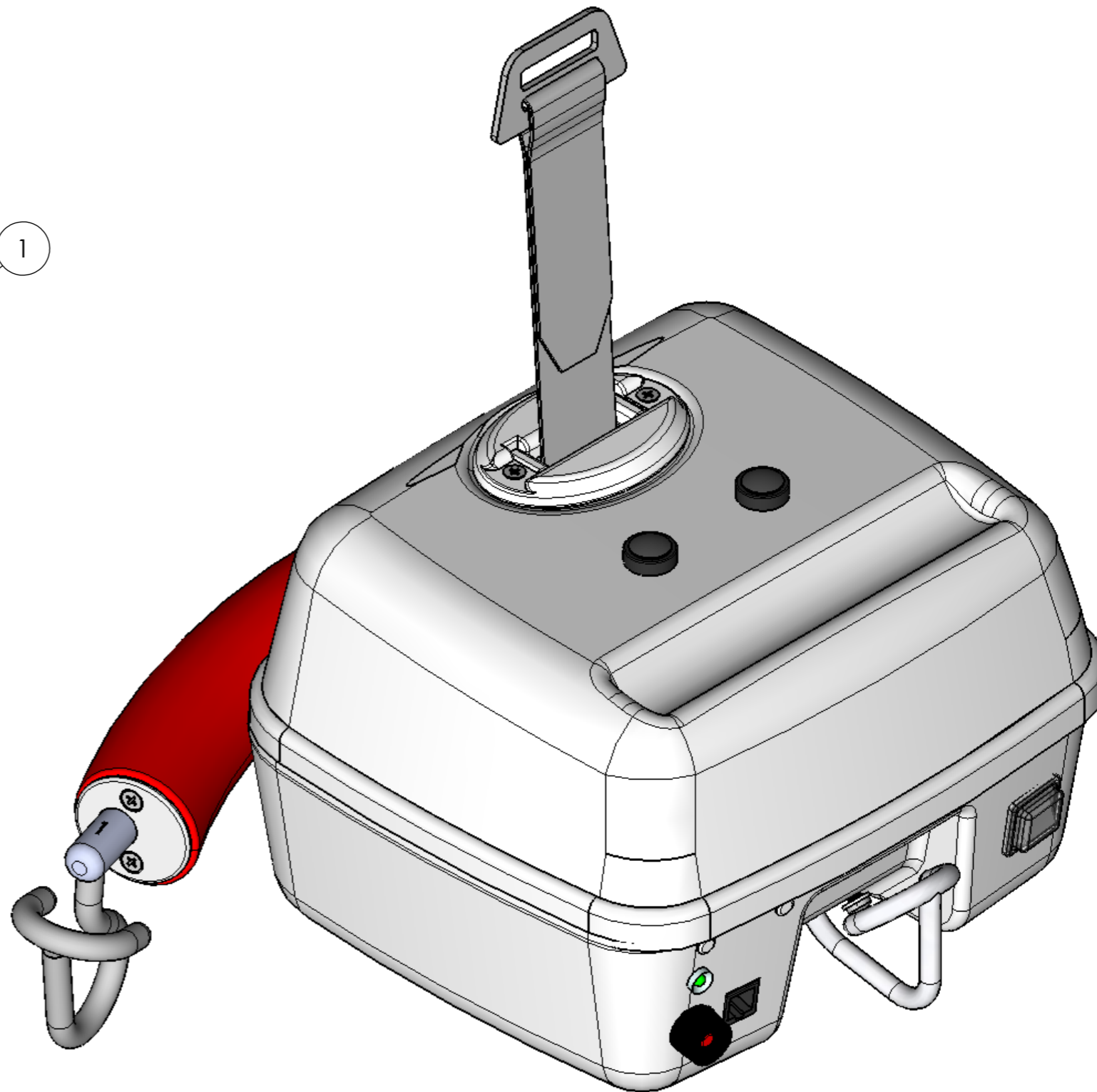
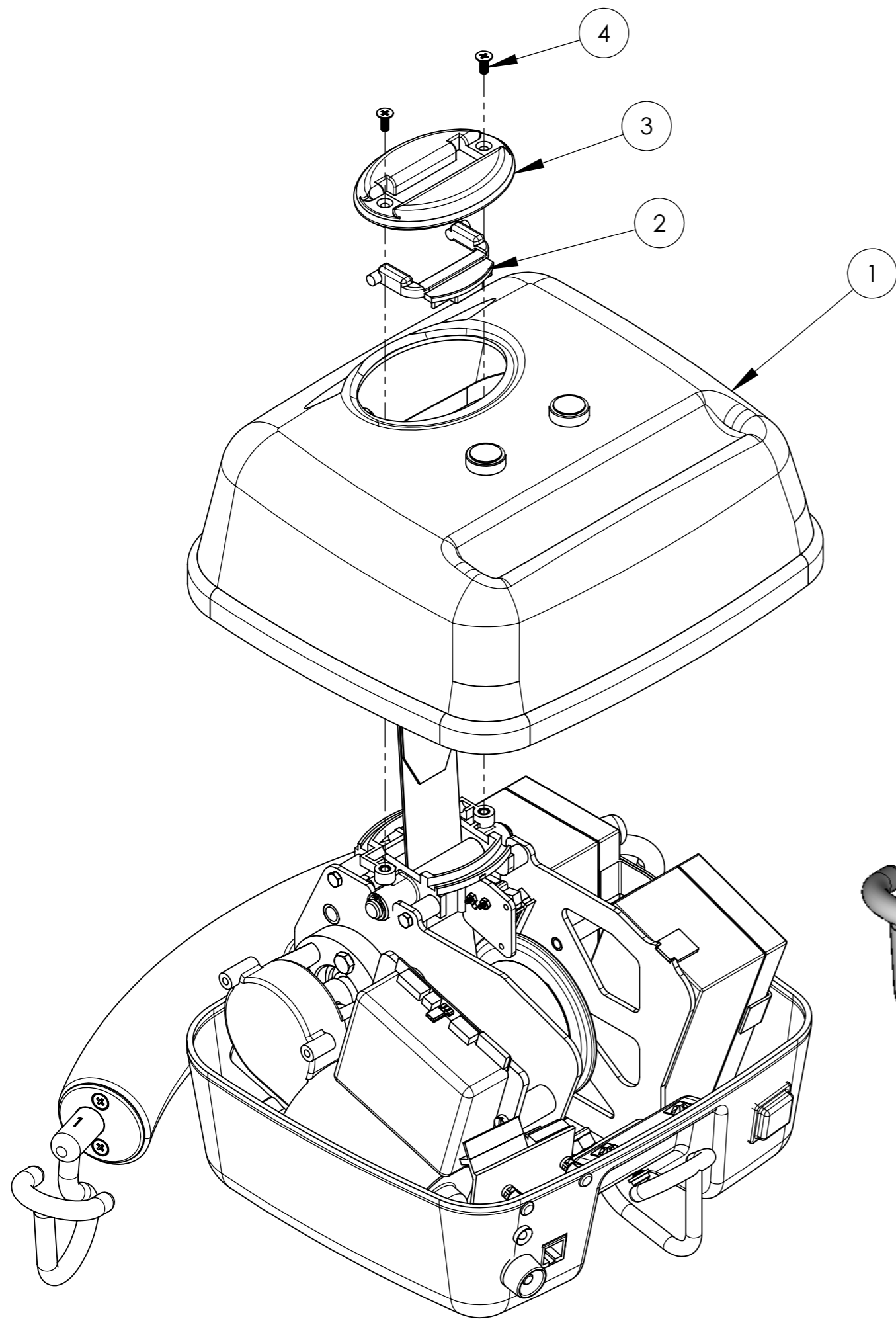
Pos. nr	Batteri & styrenhet/Ant.	Benämning	Anmärkning																								
<p>PROPRIETARY AND CONFIDENTIAL</p> <p>THE INFORMATION CONTAINED IN THIS DRAWING IS THE SOLE PROPERTY OF HUMAN CARE HC AB. ANY REPRODUCTION IN PART OR AS A WHOLE WITHOUT THE WRITTEN PERMISSION OF THE OWNER IS PROHIBITED.</p>		<p>Where nothing else specified Tolerance ISO 2768-m</p> <table border="1"> <thead> <tr> <th>Nom. measure</th> <th>Tol. ±</th> <th>Nom. measure</th> <th>Tol. ±</th> </tr> <tr> <th>över</th> <th>t.o.m.</th> <th>över</th> <th>t.o.m.</th> </tr> </thead> <tbody> <tr> <td>(0,5)</td> <td>3</td> <td>(120)</td> <td>400</td> </tr> <tr> <td>(3)</td> <td>6</td> <td>(400)</td> <td>1000</td> </tr> <tr> <td>(6)</td> <td>30</td> <td>(1000)</td> <td>2000</td> </tr> <tr> <td>(30)</td> <td>120</td> <td>(2000)</td> <td>4000</td> </tr> </tbody> </table>	Nom. measure	Tol. ±	Nom. measure	Tol. ±	över	t.o.m.	över	t.o.m.	(0,5)	3	(120)	400	(3)	6	(400)	1000	(6)	30	(1000)	2000	(30)	120	(2000)	4000	<p>Design by DNK</p> <p>Origin Drawn MG</p> <p>Origin Check FV</p> <p>Drawing Status Released</p> <p>Sheet 6(8)</p> <p>Origin Date 2013-04-15</p> <p>Scale 1:1</p> <p>Revision C</p> <p>Part no. 50001-NA</p>
Nom. measure	Tol. ±	Nom. measure	Tol. ±																								
över	t.o.m.	över	t.o.m.																								
(0,5)	3	(120)	400																								
(3)	6	(400)	1000																								
(6)	30	(1000)	2000																								
(30)	120	(2000)	4000																								
		<p>Chassi Singel 5100-NA</p> <p>HUMAN CARE Freedom to move!</p>																									



4	1	50052 teleskopgalge kompl	
3	1	20297 Skruv MC6S 8x60 fzb	
2	1	22045 Dämpare galge	
1	1	22029 Skyddsör galge	

Pos. nr	Teleskopgalge/Ant.	Benämning	Anmärkning
---------	--------------------	-----------	------------

PROPRIETARY AND CONFIDENTIAL THE INFORMATION CONTAINED IN THIS DRAWING IS THE SOLE PROPERTY OF HUMAN CARE HC AB. ANY REPRODUCTION IN PART OR AS A WHOLE WITHOUT THE WRITTEN PERMISSION OF THE OWNER IS PROHIBITED.	Where nothing else specified						Design by	Origin Drawn	OriginCheck	Drawing Status	Sheet
	Tolerance ISO 2768-m						DNK	MG	FV	Released	7(8)
	Nom. measure		Tol. ±		Nom. measure		Tol. ±				
	över	t.o.m.	Tol. ±	över	t.o.m.	Tol. ±					
(0,5)	3	0,1	(120)	400	0,5						
(3)	6	0,1	(400)	1000	0,8						
(6)	30	0,2	(1000)	2000	1,2						
(30)	120	0,3	(2000)	4000	2						
								Chassi Singel 5100-NA		Origin Date 2013-04-15 Scale 1:1 Revision C	
										Part no. 50001-NA	



4	2	20298 Skruv MFX-H M4x10 A2					
3	1	21091 Lock					
2	1	50091 Vipparm grå					
1	1	50503 Komplet överkäpa Singel V0					
Pos. nr	Toplocket/Ant.	Benämning	Anmärkning				
PROPRIETARY AND CONFIDENTIAL		Where nothing else specified	Design by				
THE INFORMATION CONTAINED IN THIS DRAWING IS THE SOLE PROPERTY OF HUMAN CARE HC AB. ANY REPRODUCTION IN PART OR AS A WHOLE WITHOUT THE WRITTEN PERMISSION OF THE OWNER IS PROHIBITED.		Tolerance ISO 2768-m	DNK				
		Nom. measure	Origin Drawn				
		över t.o.m.	MG				
		Tol. ±	OriginCheck				
		över t.o.m.	FV				
		över t.o.m.	Drawing Status				
(0,5)	3	0,1	(120)	400	0,5	Released	Sheet
(3)	6	0,1	(400)	1000	0,8		8(8)
(6)	30	0,2	(1000)	2000	1,2		Origin Date
(30)	120	0,3	(2000)	4000	2		2013-04-15
							Scale
							1:1
							Revision
							C
							Part no.
							50001-NA

Chassi
Singel 5100-NA